



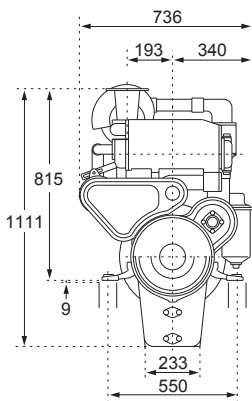
6CH-WUTE Series

BESTSELLING FROM 1977 | Mechanical Engine Control

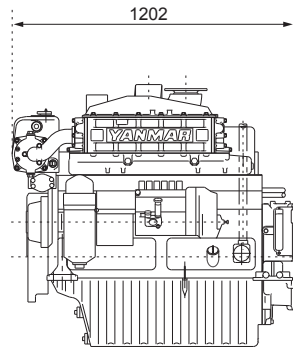
Configuration	4-cycle, Vertical, Turbo-charged, water cooled diesel engine	
Maximum output at crankshaft	L: 206 kW@2600 rpm	[280 mhp@2600 rpm]
	M: 188 kW@2550 rpm	[255 mhp@2550 rpm]
Displacement	6.494	
Bore x stroke	105 mm x 125 mm	
Cylinders	6 in-line	
Combustion system	Direct injection	
Starting system	Electric starting motor [DC 24V - 4 kW]	
Flywheel housing size	SAE #3 and 11-1/2 inch	
Cooling system	With Heat exchanger	
Cooling fresh water capacity	23 ltr + 0.8 ltr [Reservoir tank]	
Lubrication system	Forced lubrication with gear pump	
Lubricating oil capacity	23 ltr	
Lubricating oil grade	SAE30 or SAE40 at ambient temperature above 30 or above	
Direction of rotation [crankshaft]	Counterclockwise viewed from stern	
Dry weight without gear	720 kg	
Environmental	IMO Tier 2	
Fuel consumption [at rated output]	M: 223 gr/kW hr	

DIMENSIONS [UNIT: MM]

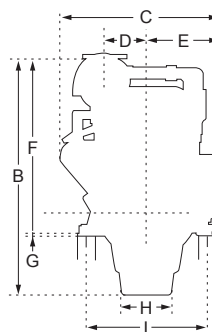
Front view, engine only



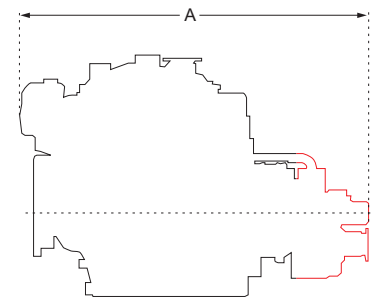
Left side view, engine only



Front view with gearbox YX-71



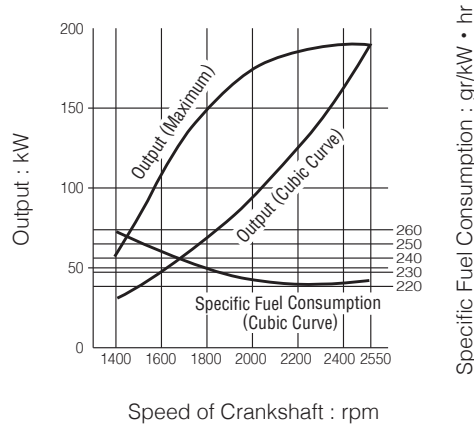
Left side view with gearbox YX-71



Model	A	B	C	D	E	F	G	H	I
6CH-WUTE x YX-71	1600	1111	736	193	340	815	9	233	550



PERFORMANCE CURVES

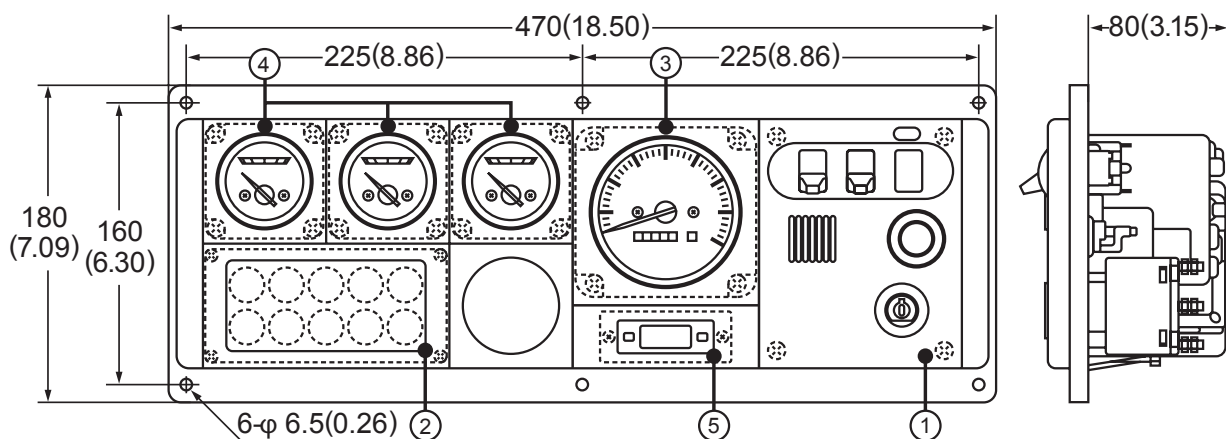


Rating definitions: hp = 0.7355 kW Ratings are based on conditions of 100 kPa, 30% relative humidity at 25 °C.
 L= For applications where use of rated power is less than 2 hours continuous out of every 5 hours and operation is less than 2000 hours per year. When combined with a correctly matched propeller which allows the engine rated speed to be achieved in a fully loaded vessel state, the reduced-power operation can be at or below 50 min⁻¹ of the rated speed.
 M= For applications where use of rated power is less than 10 hours continuous out of every 16 hours and operation is less than 3000 hours per year. When combined with a correctly matched propeller which allows the engine rated speed to be achieved in a fully loaded vessel state, the reduced-power operation can be at or below 50 rpm of the rated speed.
 Fuel rates: Specific gravity 0.835 g/cc, low calorific value 42700 kJ/kg [10200 kcal/kg], Cetane No. 45.

MARINE GEARS SPECIFICATIONS

Model	YX-71		
Type	Hydraulic multi-disc clutch		
Dry Weight	220 kg		
Reduction Ratio [Ahead]	2.07	2.58	2.91
Direction of rotation [propeller shaft]	Clockwise or counter-clockwise viewed from stern		

INSTRUMENT PANEL D-TYPE [UNIT: MM]



- 1 Switch unit**
 - Key switch
 - Alarm buzzer
 - Alarm buzzer stop switch
 - Illumination switch
- 2 Alarm lamp unit with Alarm monitor device**
 - Battery not charging
 - C.W. high temp.
 - L.O. low pressure
 - Clutch oil pressure
 - L.O. filter clogged
 - C.W.level
- 3 Tachometer unit**
 - Tachometer with hour meter
- 4 Sub meter unit**
 - L.O. pressure meter
 - C.W. temp. meter
 - Boost meter
- 5 Clock unit**
 - Clock

NOTE: All data subject to change without notice. Text and illustrations are not binding.