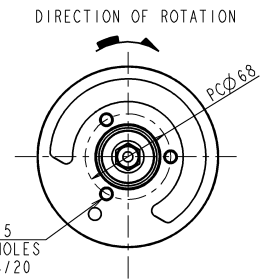
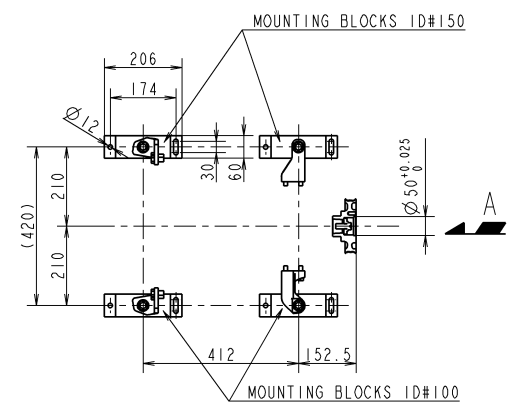
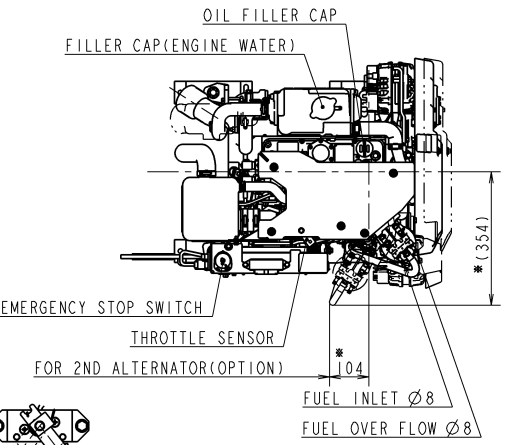
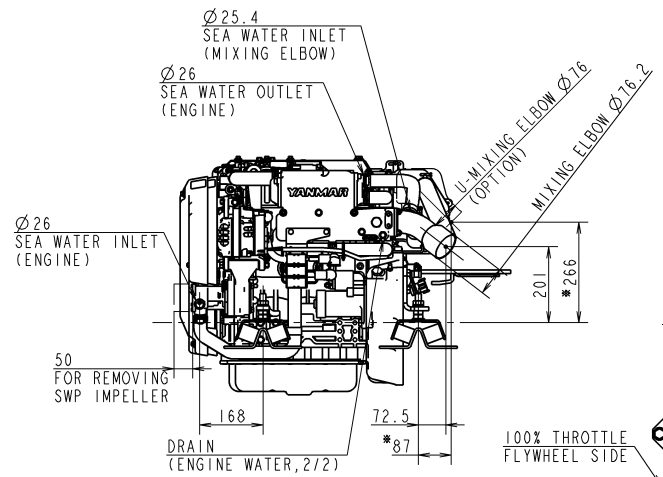
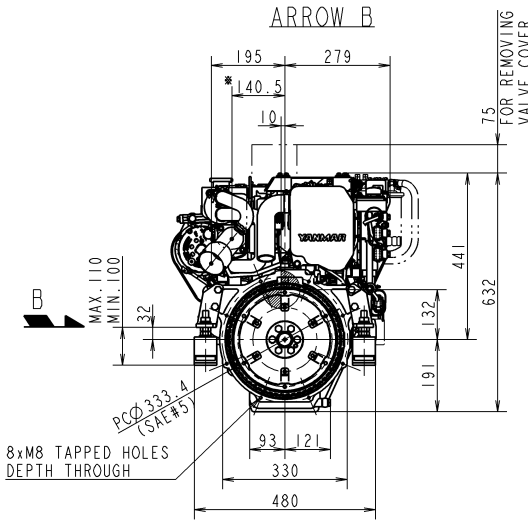


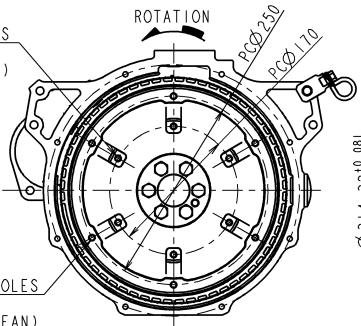
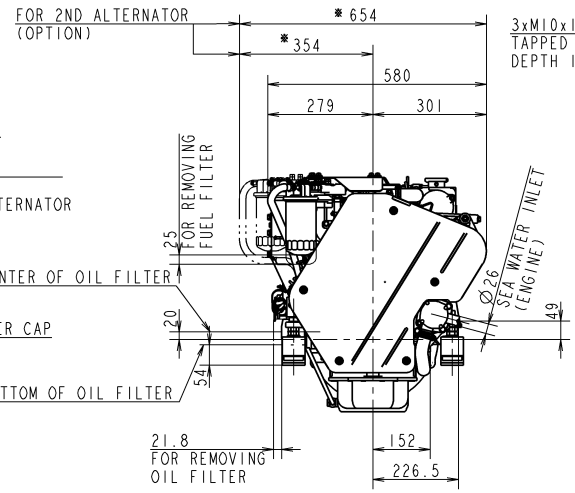
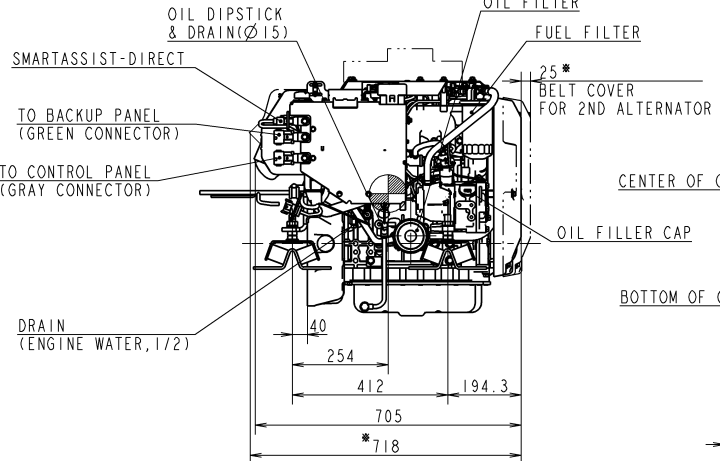
CAREER



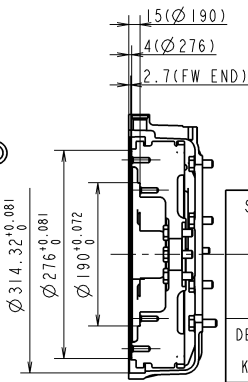
DETAIL OF PULLEY SCALE 1:3 ARROW A



THROTTLE SENSOR SCALE 1:5



DETAIL OF FLYWHEEL SCALE 1:5



限定量産用 FOR LIMITED MASS PRODUCTION

MANAGER 山口

- NOTE
1. MOUNTING BLOCKS ARE COMPRESSED ABOUT 4mm BY ENGINE WEIGHT.
  2. DIMENSIONS OF MOUNTING BLOCK IN THIS DRAWING ARE WITHOUT ANY DEFORMATION.
  3. THE FIGURES MARKED WITH \* SHOW THE DIMENSIONS WITH U-MIXING ELBOW OR OPTIONAL PARTS.
  4.  $\phi$  SHOWS THE CENTER OF GRAVITY.

SPECIFICATIONS		
Model		3JH40
Continuous Power (ISO 8665)	kW/min <sup>-1</sup>	26.8 / 2907
Fuel Stop Power	Propeller shaft (ISO 8665) kW/min <sup>-1</sup>	---
	Crankshaft (ISO 8665) kW/min <sup>-1</sup>	29.4 / 3000
Reduction ratio		---
Dry mass	kg	Approx. 192
Direction of Crankshaft rotation		Counter-clockwise

SEC. MANAGER 北本	CHECKED 北本	DESIGNED K. SHIGA	DRAWN F. KISHIDA	DATE: Y. M. D 2017. 4. 10	MODEL 3JH40	QTY -	SCALE 1:10	MATERIAL
OUTLINE, 3JH40-M								