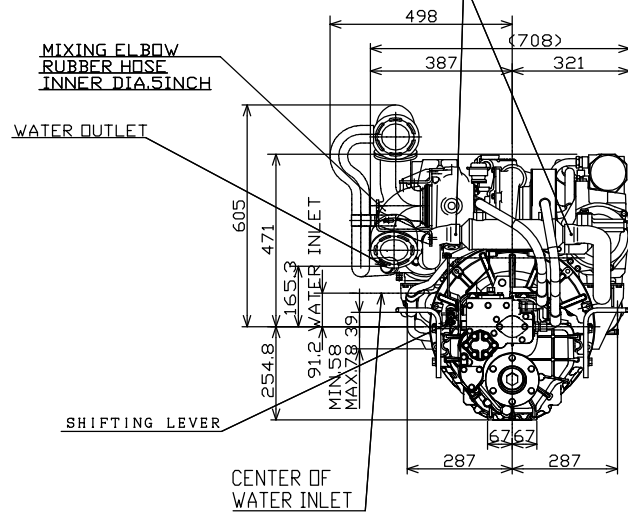


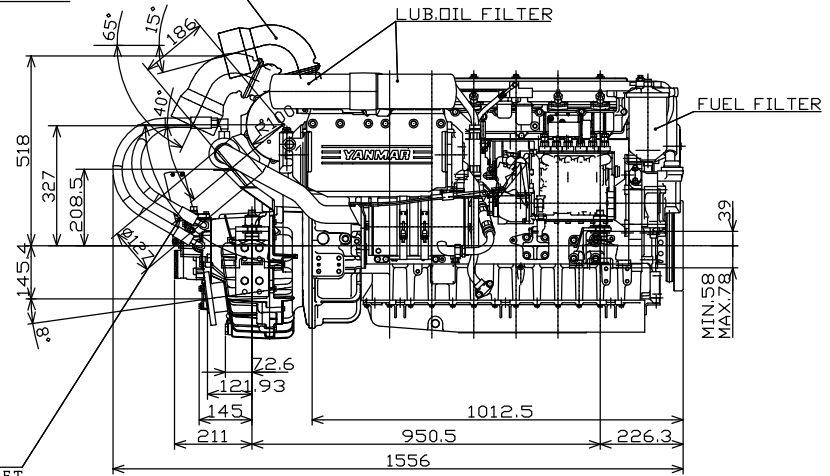
DETAIL OF OUTPUT FLANGE

THESE RUBBER HOSES SHOULD BE CONNECTED TO THE OILCOOLER OF MARINE GEAR. WATER PASSAGE AREA IS OVER 12.5cm².

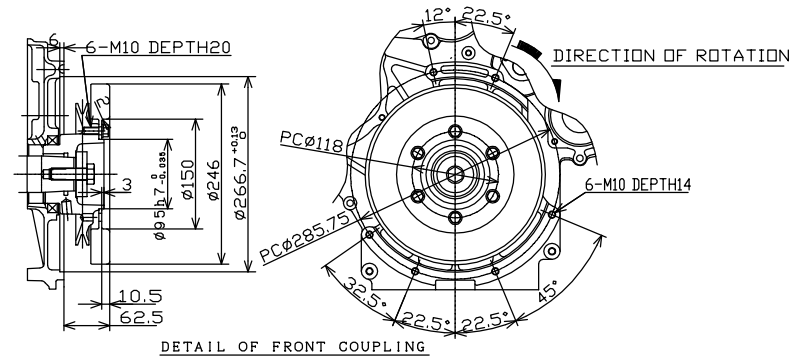


NOTE
 DWG. SHOWS MOUNTING BLOCKS AT COMPRESSED HEIGHT. (COMPRESSED BY APPROX 3mm)
 ALL DIMENSIONS ARE IN MILLIMETERS

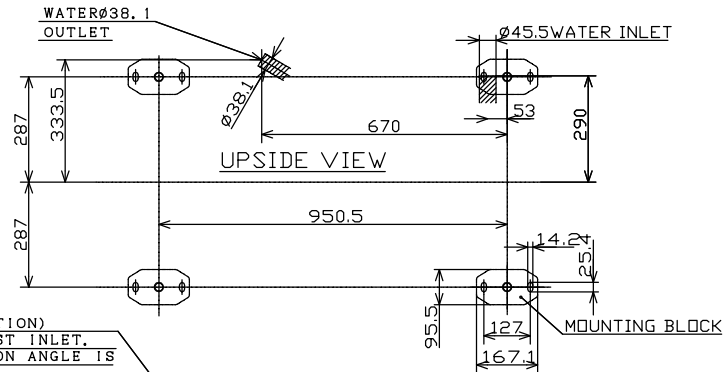
RISER MIXING ELBOW (OPTION)
 : V-BAND TYPE AT EXHAUST INLET.
 : ALLOWABLE INSTALLATION ANGLE IS BETWEEN 15° TO 65°.



MIXING ELBOW
 : V-BAND TYPE AT EXHAUST INLET.
 : ALLOWABLE INSTALLATION ANGLE BETWEEN 0° TO 90° DEGREE.



DETAIL OF FRONT COUPLING



UPSIDE VIEW

Scale 1/10 (1/5)	YANMAR MARINE INTERNATIONAL 24 April 2005	6LY2A-STP WITH KMH60A
GROUP, USER=EM2, MT01		