



# 4LV Series - 230/250

Configuration	4-stroke, vertical, water-cooled diesel engine	
Maximum output at crankshaft*	169kW @3800	[230 mhp@3800 rpm]
	184kW @3800	[250 mhp@3800 rpm]
Displacement	2.755 L	[168 cu in]
Bore x stroke	92 mm x 103.6 mm	[3.6 in x 4 in]
Cylinders	4 in-line	
Combustion system	Direct injection with Denso common rail system	
Low idle rpm	700 rpm	
Aspiration	Turbocharger with charge-air cooler	
Starting system	Electric starting 12V – 2 kW	
Alternator	Denso 12V - 130A	
Cooling system	Fresh water cooling by centrifugal fresh water pump	
	Sea water cooling by rubber impeller seawater pump	
Lubrication system	Enclosed, forced lubricating system	
Direction of rotation [crankshaft]	Counterclockwise viewed from stern	
Dry weight without gear**	332 kg	[732 lbs]
Emission compliance	EU: RCD 2, BSO II, EMC	US: EPA Tier 3
Engine mounting	Rubber type flexible mounting	

**NOTE:**Fuel condition: Density at 15°C = 0.84 g/cm<sup>3</sup>; 1 kW = 1.3596 mhp = 1.3410 HP

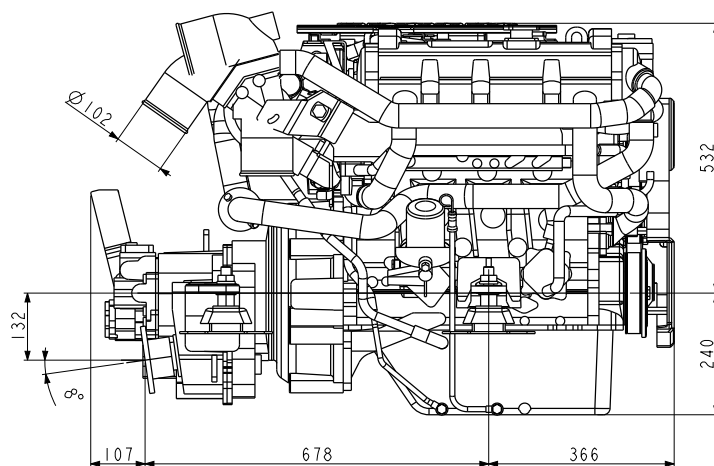
\* Fuel temperature 40°C at the inlet of the fuel injection pump [ISO 8665: 2006]

\*\* Including damper disk

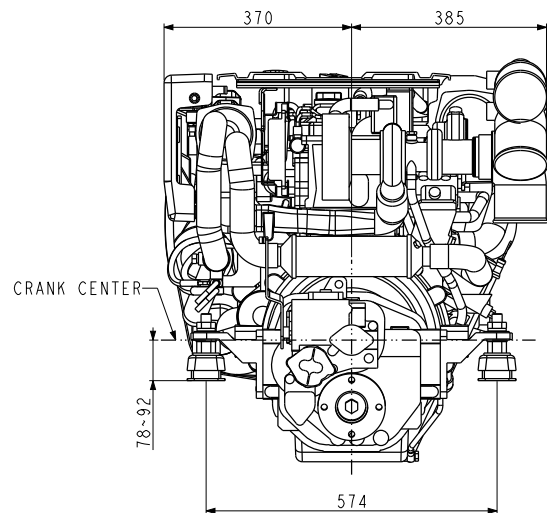
Technical data is according to ISO 8665: 2006

**DIMENSIONS**

Right side view



Rear view

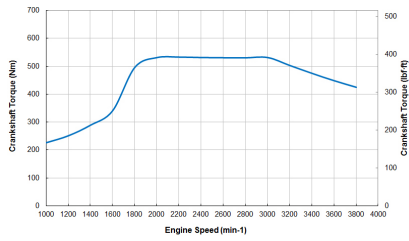


4LV230 with KMH50A marine gear

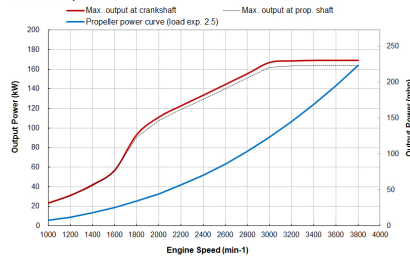


PERFORMANCE CURVES

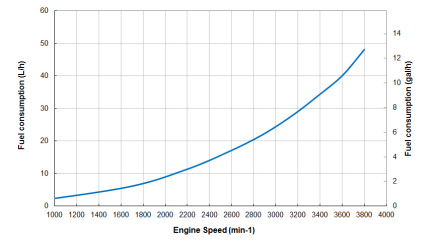
4LV230 Torque curve



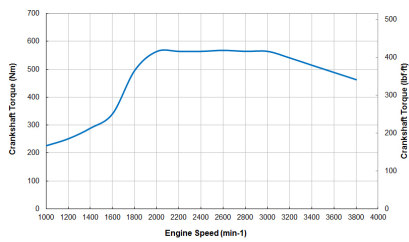
4LV230 Output Power curve



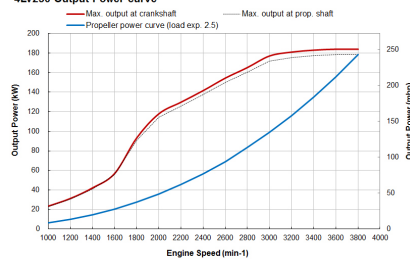
4LV230 Fuel consumption (load exp. 2.5)



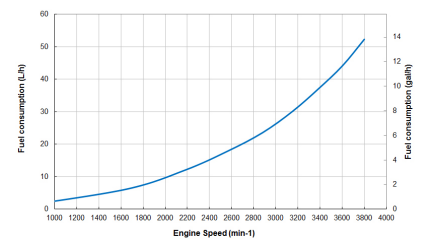
4LV250 Torque curve



4LV250 Output Power curve



4LV250 Fuel consumption (load exp. 2.5)



MARINE GEARS\*

Model	KMH50A [down angle: 8°]			KMH50V [V-drive, angle: 12°]			
Type	Hydraulic, multi disk clutch			Hydraulic, multi disk clutch			
Dry Weight**	52 kg [115 lbs]			75 kg [165 lbs]			
Reduction Ratio [fwd/asn]	1.67/1.67	2.13/2.13	2.43/2.43	1.22/1.22	1.58/1.58	2.08/2.08	2.47/2.47
Propeller speed [fwd/asn]	2275/2275	1784/1784	1564/1564	3115/3115	2405/2405	1827/1827	1538/1538
Direction of rotation [viewed from stern]	Clockwise & counterclockwise			Clockwise & counterclockwise			
Dry weight - engine & gear	384 kg [846 lbs]			407 kg [897 lbs]			
Length engine and gear/drive	1151 mm [45.3 in]			1151 mm [45.3 in]			

\*For other configurations, consult your local Yanmar distributor.  
\*\*Dry weight includes cooler and brackets

ACCESSORIES

**Standard Package**

- Exhaust mixing elbow [L-type]
- Alternator 12V - 130A
- B25 panel
- Oil sensor for instrument panel
- Mechanical throttle sensor
- Set of flexible engine mounts
- Fresh water expansion tank
- Belt safety cover
- Engine topcover for protection
- Operation manual

**Optional**

- High-riser mixing elbow [instead of L-elbow]
- Secondary alternator 12V - 150A or 24V - 80A
- Multistage secondary alternator 12V - 130A or 24V - 110A
- Hot water connection
- Opposite dipstick
- Fuel pre-filter with water separator
- Extension harness [3m, 5m, 10m]
- C35 panel
- Sidemount control head
- VC10 Vessel Control System
- Second station
- NMEA2000 Engine monitoring system

NOTE: All data subject to change without notice. Text and illustrations are not binding.