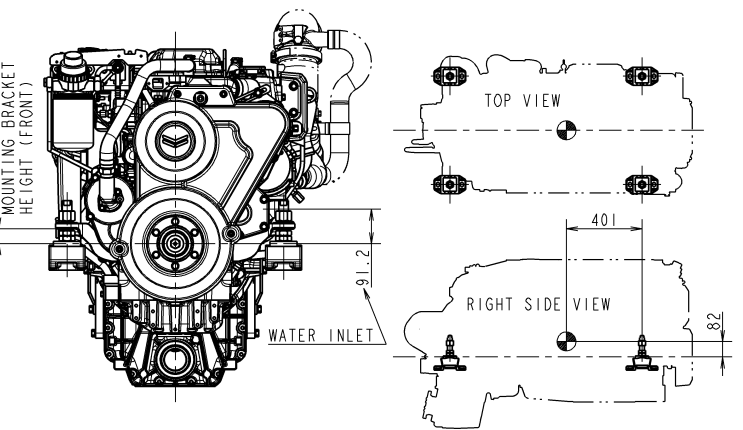
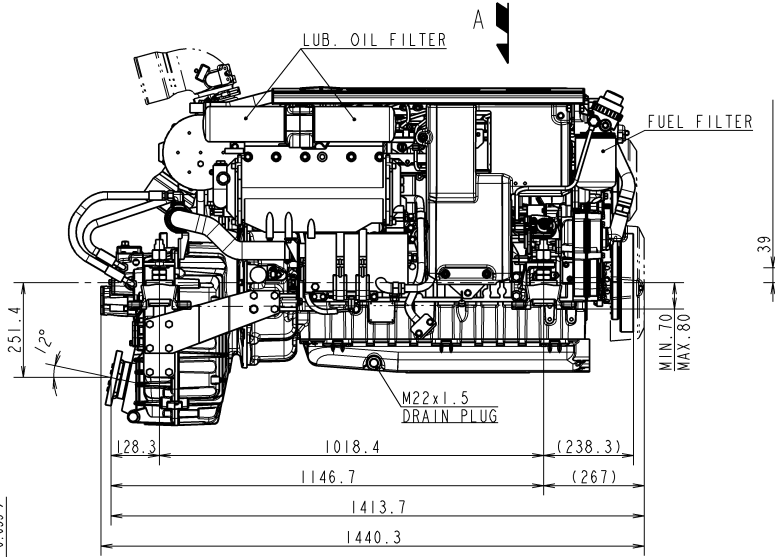
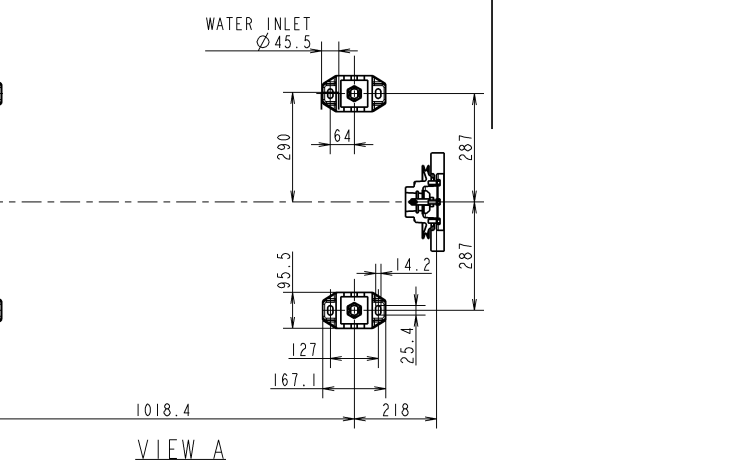
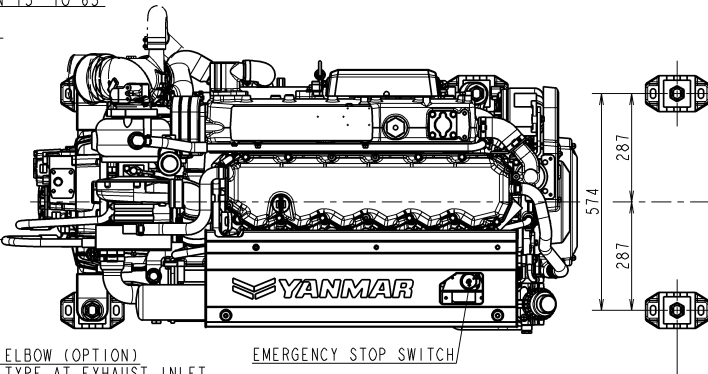
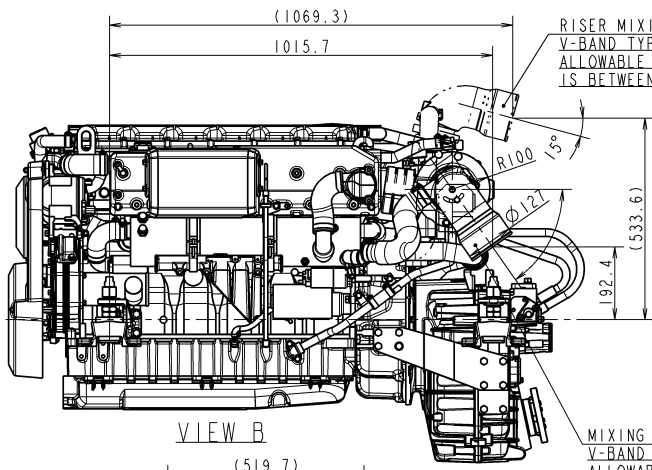
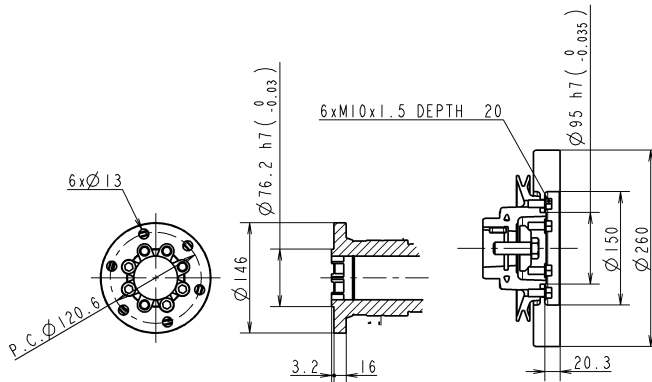


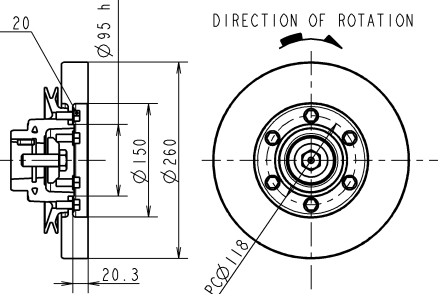
C A R E E R



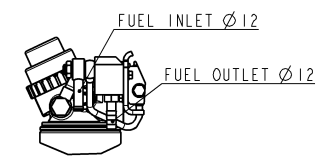
CENTER OF GRAVITY  
SCALE 1:20



DETAIL OF COUPLING  
SCALE 1:5



DETAIL OF FRONT COUPLING  
SCALE 1:5



DETAIL OF FUEL INLET/OUTLET  
SCALE 1:5

6LY440 x KMH61V  
6LY400 x KMH61V  
BARRY CONTROL MOUNT

生産用  
FOR MASS PRODUCTION

MANAGER  
野村

SEC. MANAGER 前谷	MODEL 6LY440 6LY400	QTY — —	SCALE 1:10 (1:5)
CHECKED 中村幸	SPECIALIST	MATERIAL	
DESIGNED 廣松	DRAWN 大橋	DATE: Y.M.D 2015.06.15	6LY440/400 X KMH61V OUTLINE
<b>YANMAR</b> YANMAR CO., LTD. DEVELOPMENT DIV.			CODE B2-19581-0030 DRAWN SIZE A2