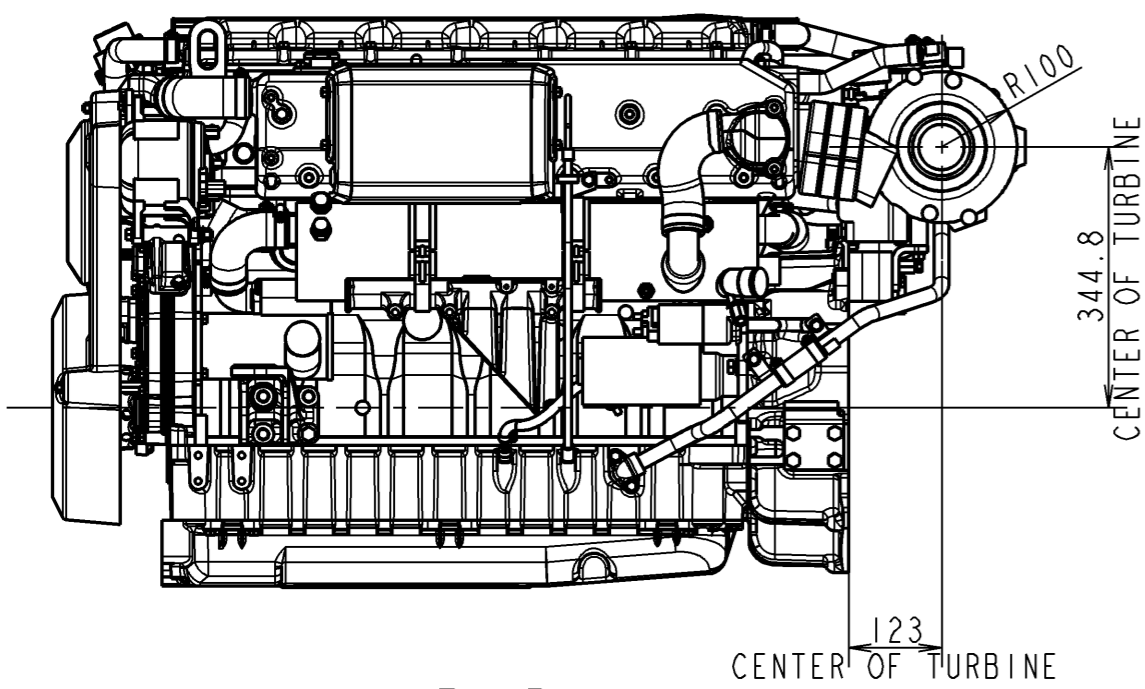
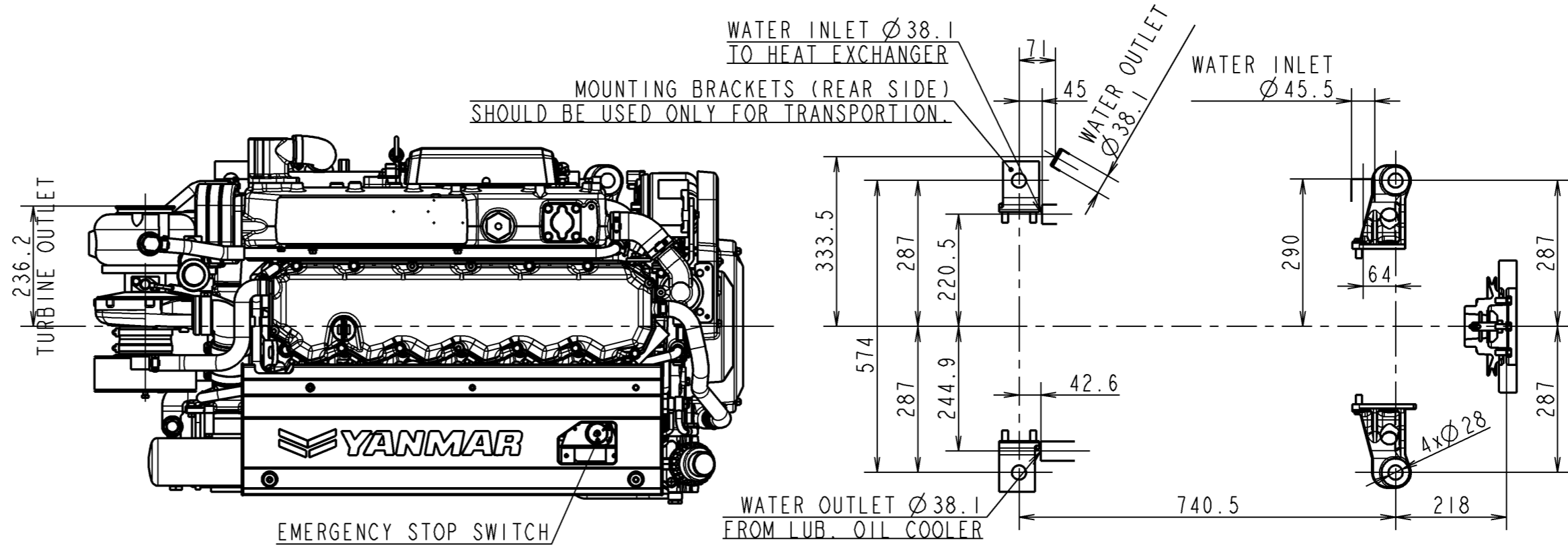


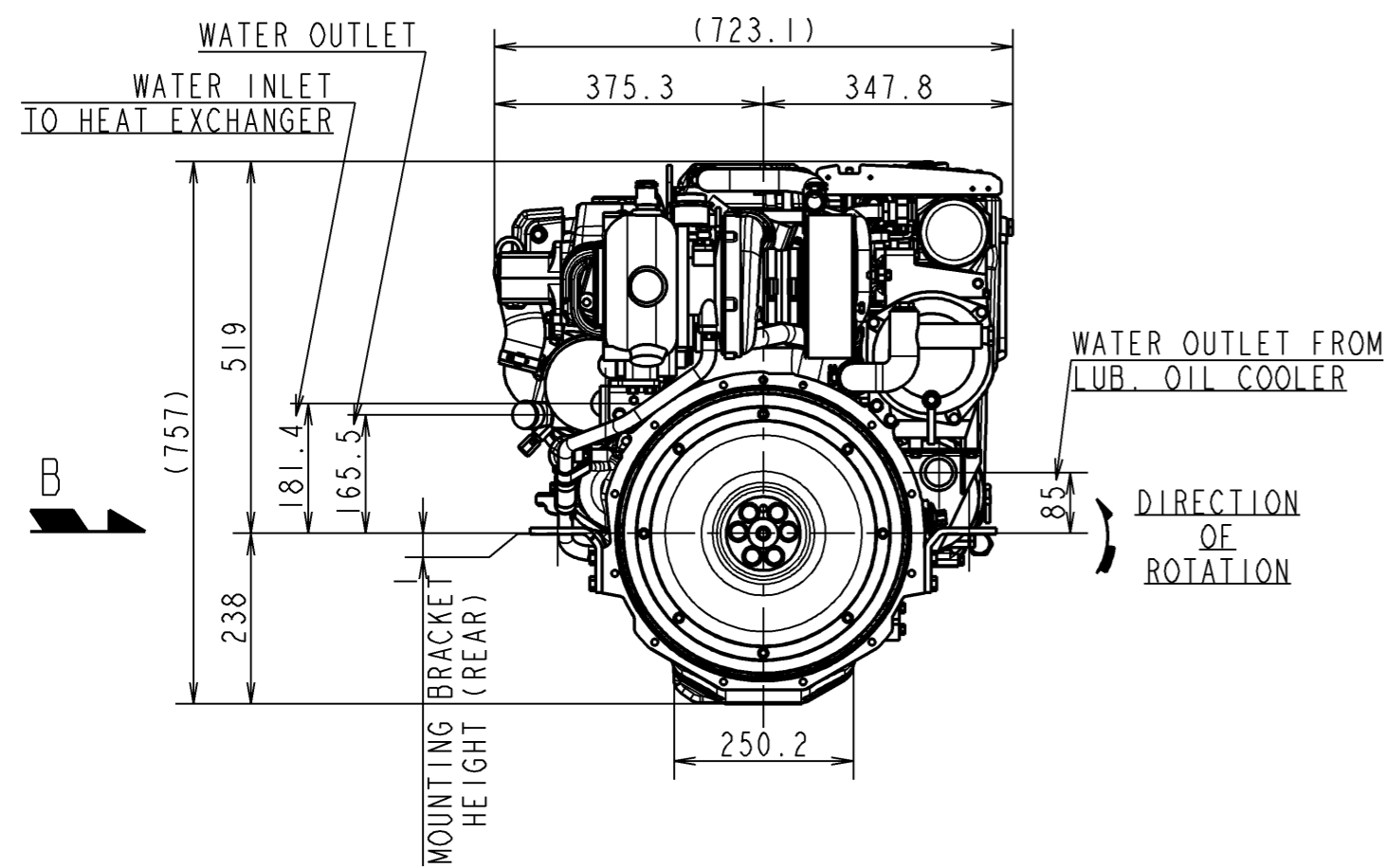
CAREER



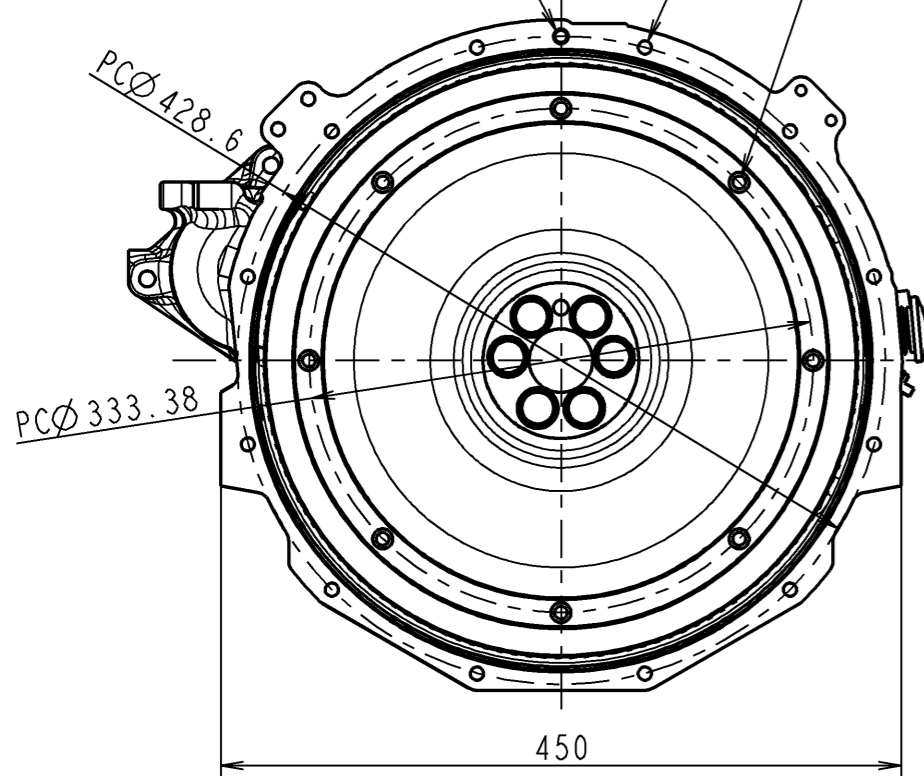
VIEW B



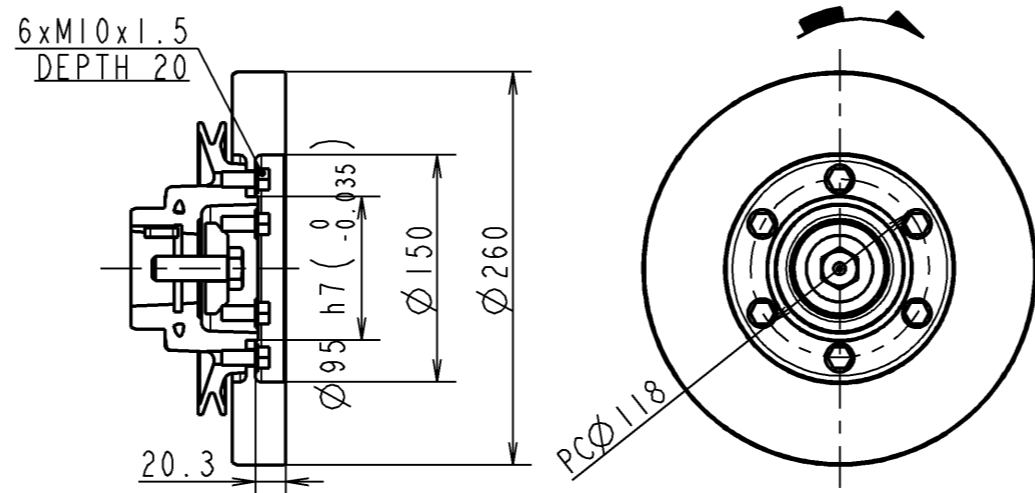
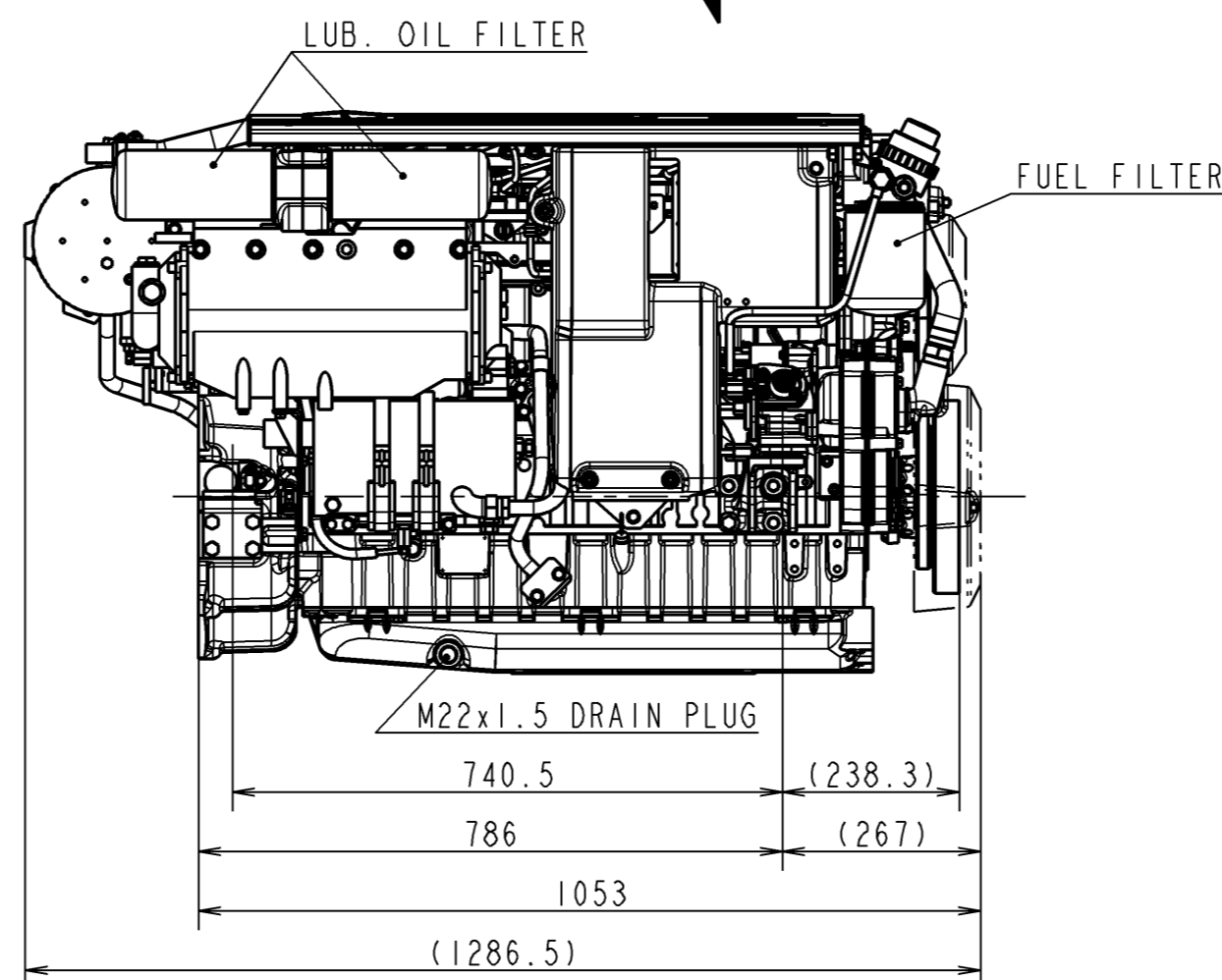
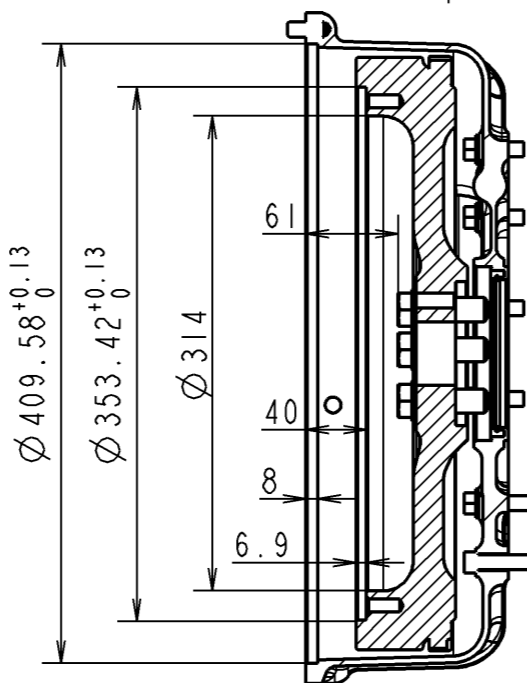
VIEW A



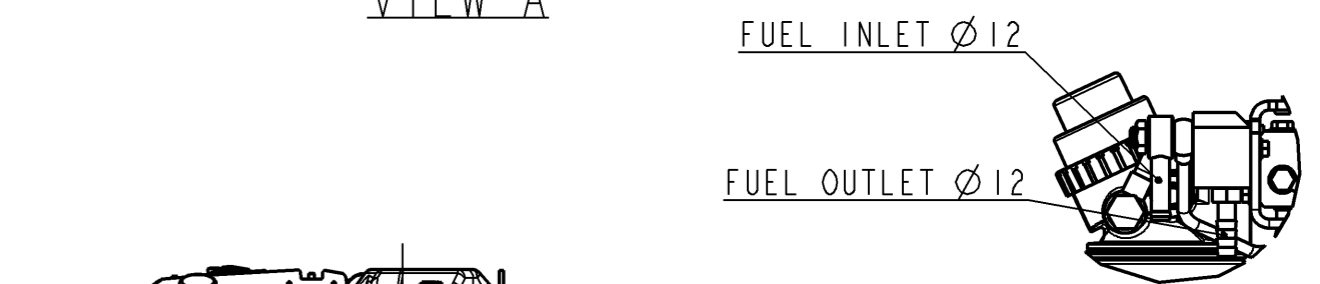
PARALLEL PIN HOLE Ø10H7 (+0.015) DEPTH 12
12xM10 DEPTH 19
8xM10x1.25 DEPTH 15



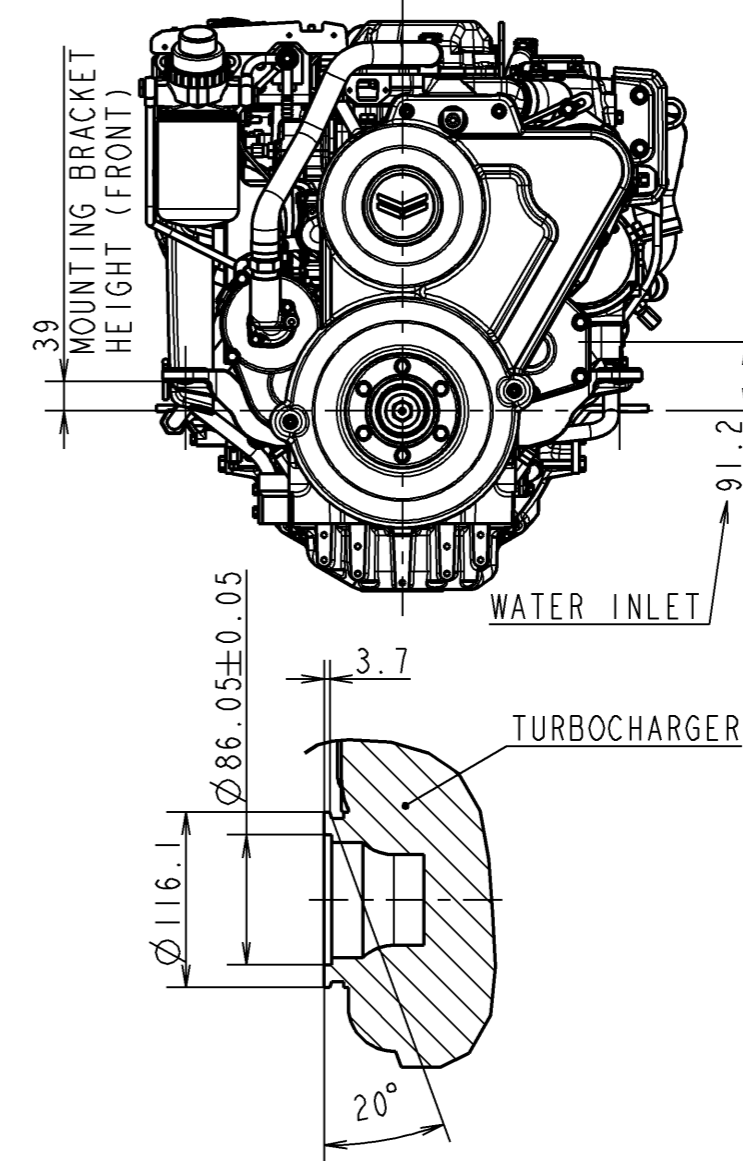
DETAIL OF FLYWHEEL OUTPUT SIDE SCALE 1:5



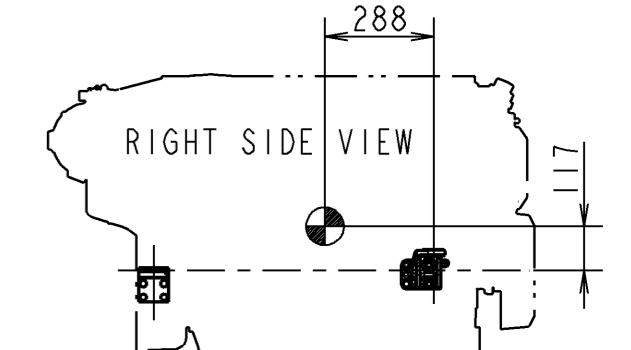
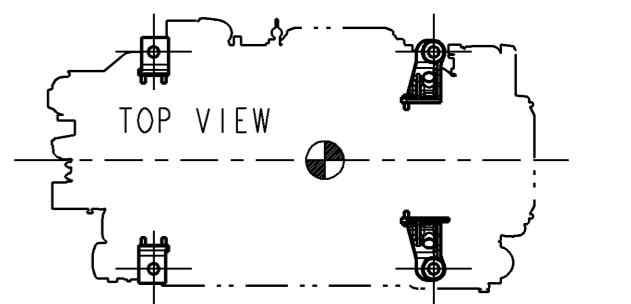
DETAIL OF FRONT COUPLING SCALE 1:5



DETAIL OF FUEL INLET/OUTLET SCALE 1:5



DETAIL OF TURBINE OUTLET SCALE 1:5



CENTER OF GRAVITY SCALE 1:20

MANAGER 野村
量産用 FOR MASS PRODUCTION

SEC. MANAGER 前後	MODEL 6LY440 6LY400	SCALE 1:10 (1:5)
CHECKED 中村卓	SPECIALIST	MATERIAL
DESIGNED 廣松	DRAWN 大橋	DATE: Y.M.D 2015.06.15
6LY440/400 カ"イケイス"		
6LY440/400 OUTLINE		
YANMAR YANMAR CO., LTD. DEVELOPMENT DIV.		
CODE B2-19581-0010	DRAW SIZE A2	

3D-CAD
NOTICE
GEOMETRICAL TOLERANCE
KIND OF TOLERANCE
SYMBOL
FINISHNESS TOLERANCE
UNCERTAINTY TOLERANCE
PROFILING OF LINE TOLERANCE
FLATNESS TOLERANCE
CYLINDRICITY TOLERANCE
PARALLELISM TOLERANCE
PERPENDICULARITY TOLERANCE
ANGULARITY TOLERANCE
POSITIONAL TOLERANCE
QUALITY OR REPRODUCIBILITY TOLERANCE
SYMMETRY TOLERANCE
STAIRCASE TOLERANCE
TOTAL RUN-OUT TOLERANCE