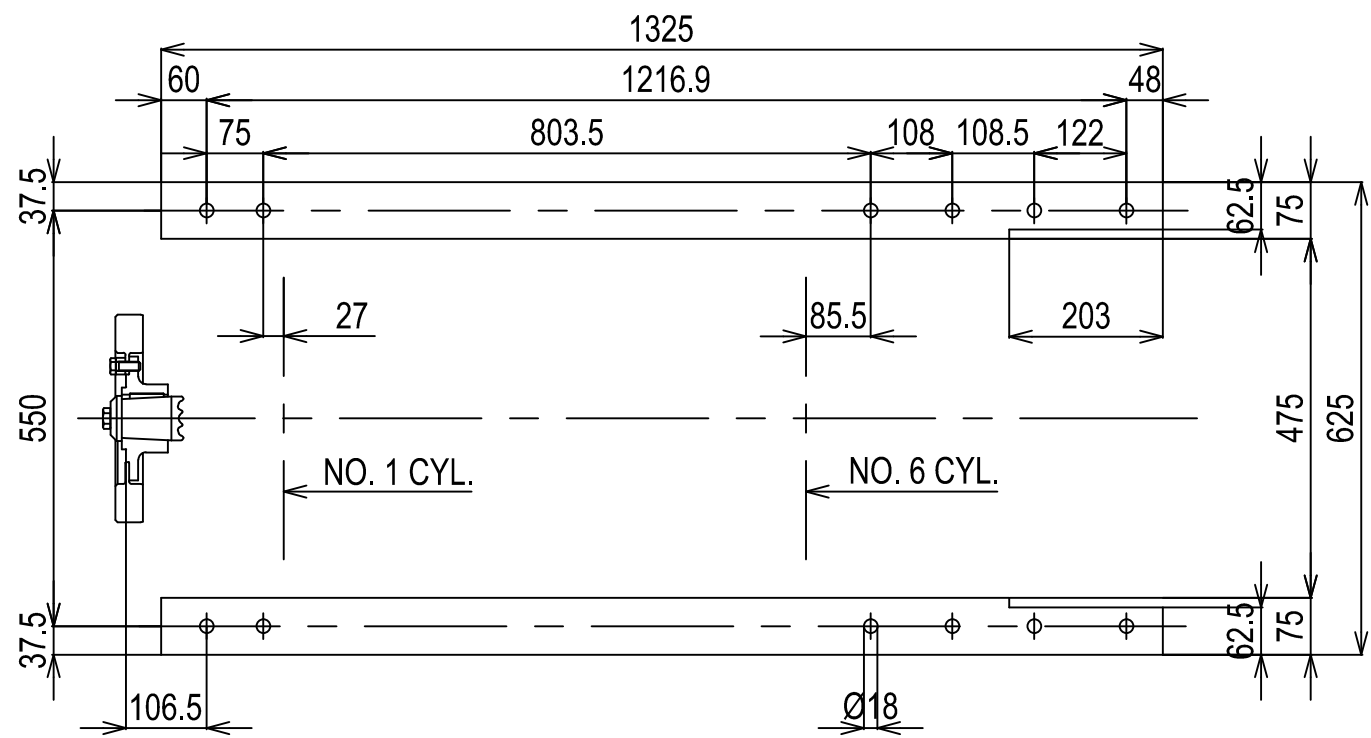
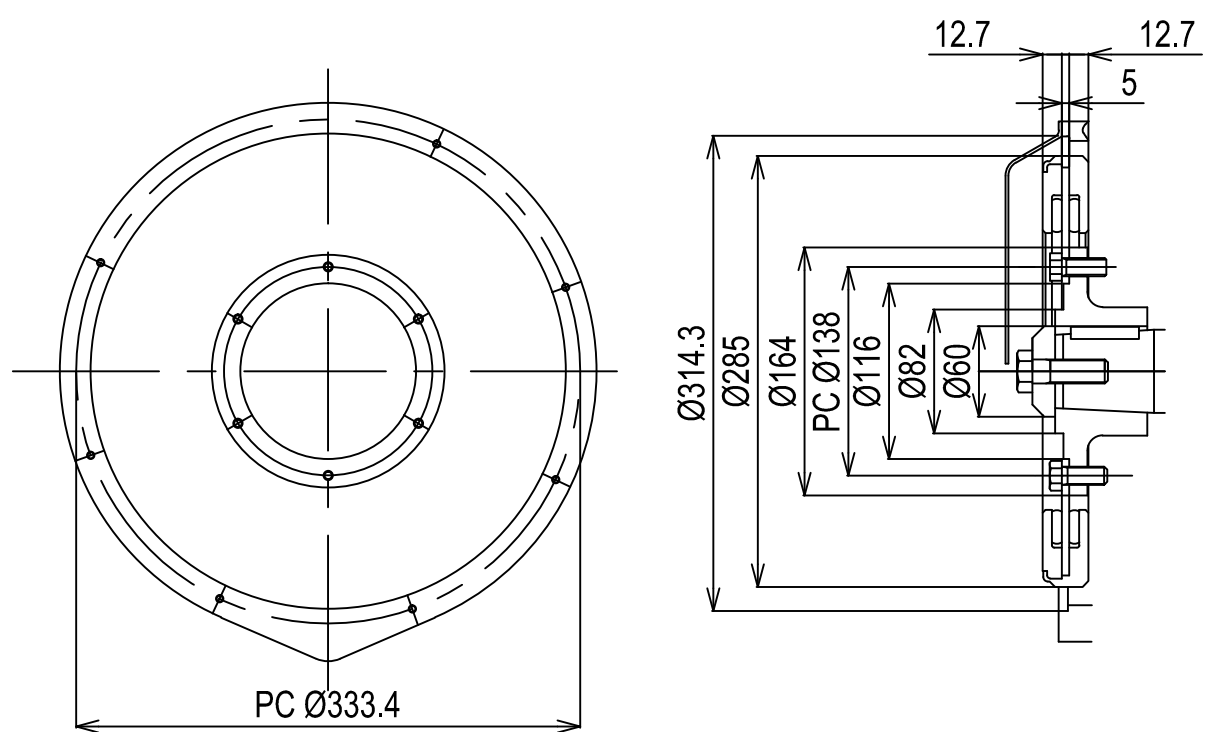
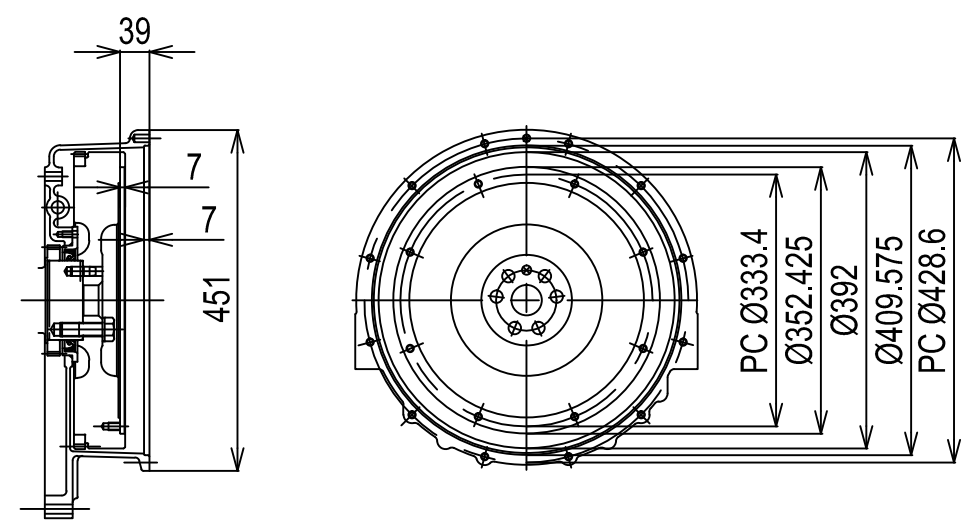


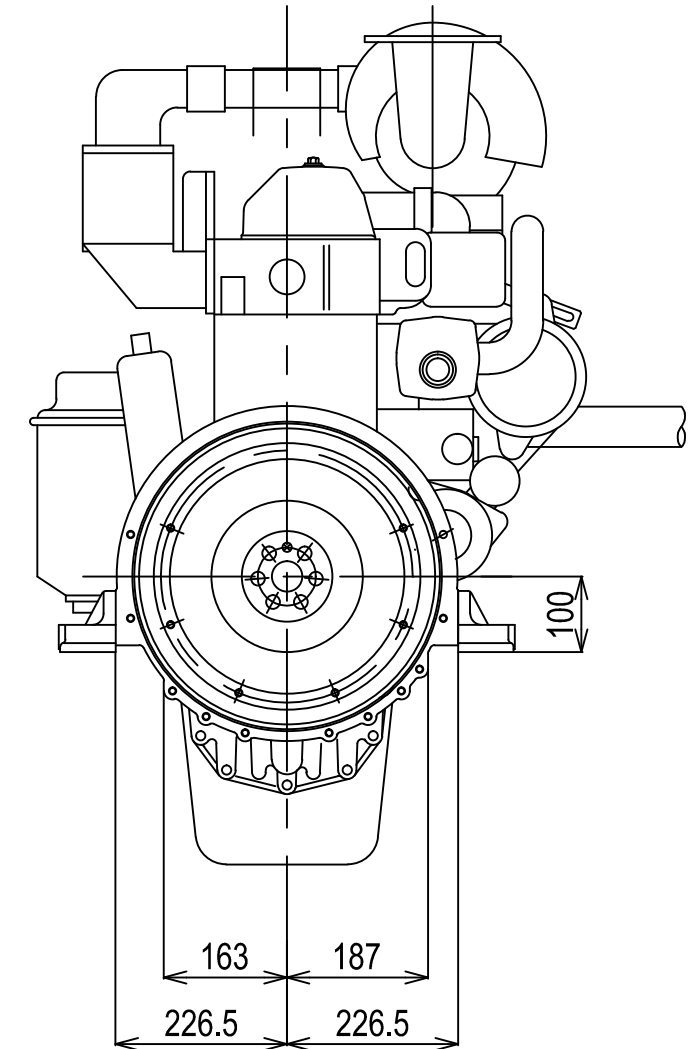
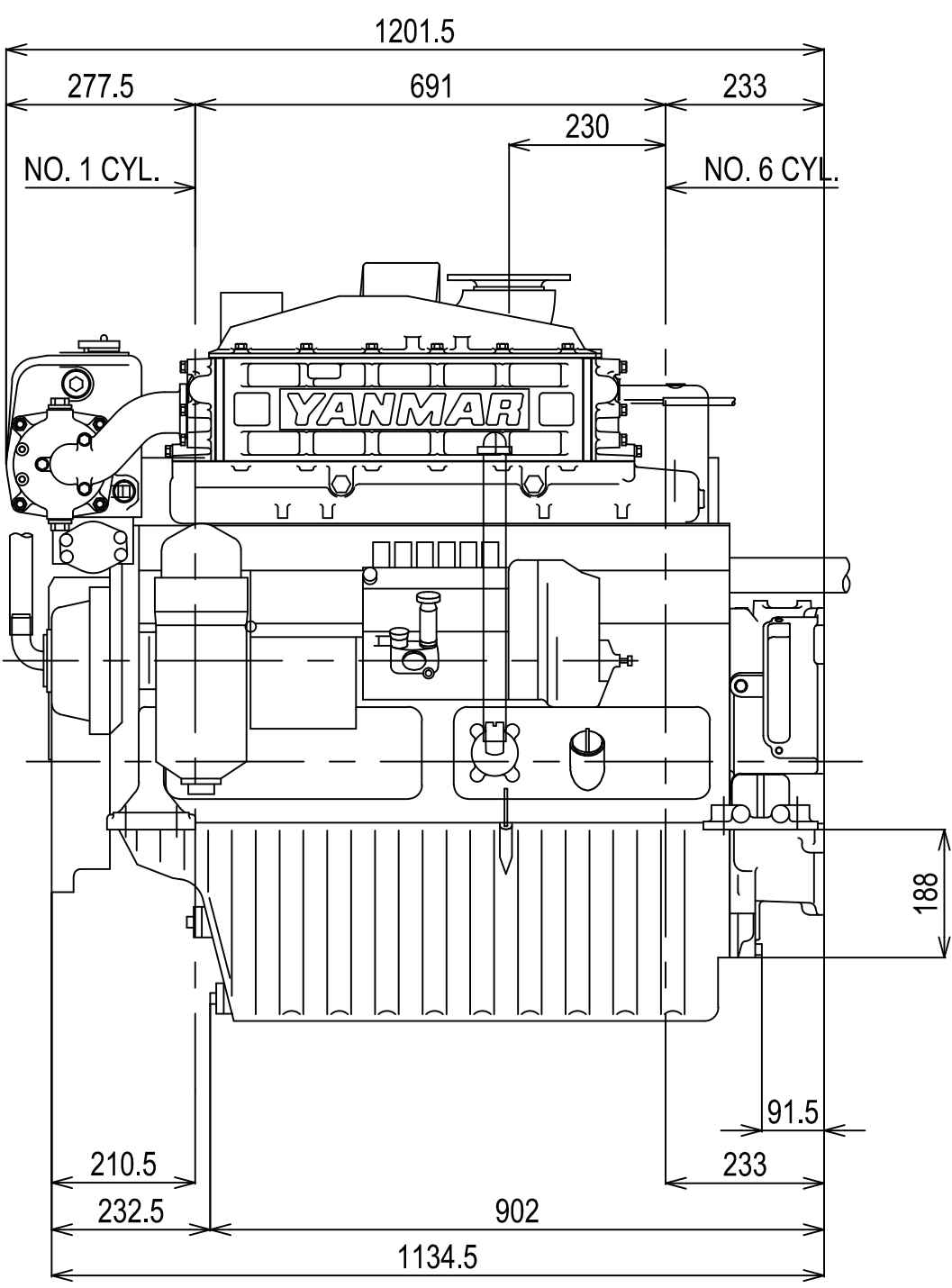
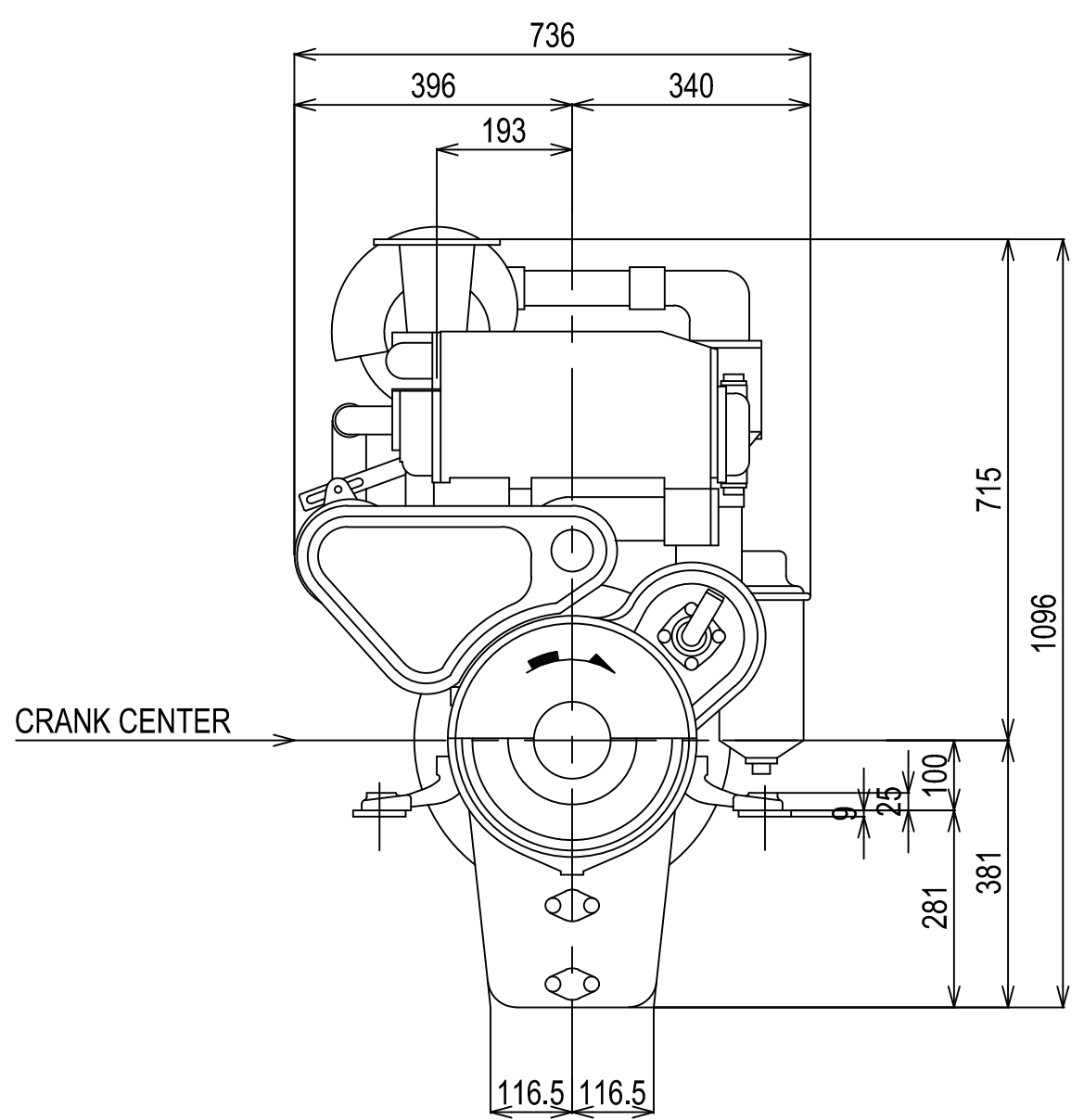
DETAIL OF FRONT PTO (1:5)



DETAIL OF FLYWHEEL



Flywheel housing & Flywheel : SAE #3 & #11-1/2



Engine:	6CH-WUTE_BOBTAIL	Release:	-
Scale:	1:10	Date:	01-04-2013
		Dimensions:	mm

