

# 6CHL series

MARINE  
AUXILIARY  
DIESEL ENGINE

62~145hp / 1500~1800rpm  
50~120kVA (40~96kW)

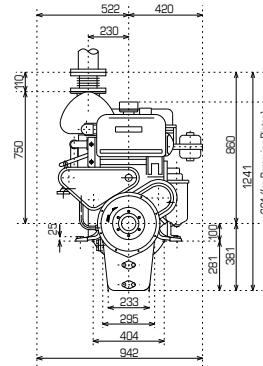
# YANMAR



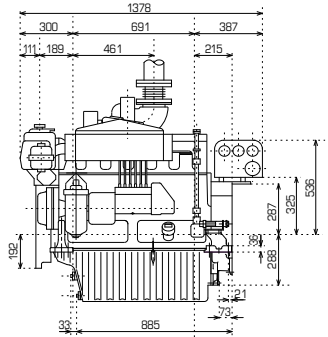
## Dimensions Unit:mm

Engine only (6CHL-HTN)

Front view



Left side view



## Generator set dimensions for your reference Unit:mm

Generator set dimensions shown below depend on generator model

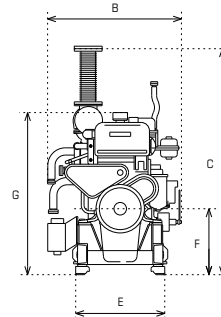
- 6-cylinder, direct injection.
- Natural aspirated or turbocharged.

## Specifications

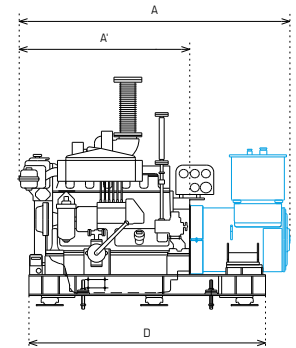
TNA is not Type approved by BV  
HTN(A) is not Type approved.

Model	6CHL-N	6CHL-TN	6CHL-TNA	6CHL-HTN	6CHL-HTNA
Number of cylinders	In-line 6				
Bore × stroke	mm 105 × 125				
Displacement	lit. 6.494				
Continuous rated engine speed	1500 1800	1500 1800	1500 1800	1500 1800	1500 1800
Continuous rated output	62 74	74 100	92 122	100 120	125 145
Applicable generator capacity	50 60 (40) (48)	60 80 (48) (64)	75 100 (60) (80)	80 100 (64) (80)	100 120 (80) (96)
Frequency	50 60	50 60	50 60	50 60	50 60
Combustion system	Direct injection				
Aspiration	Natural aspiration	Exhaust Turbocharger	Exhaust Turbocharger with intercooler		
Dry weight (Engine only)	kg 625	645	645	675	675
Dry weight (Gen. set)	kg 1220	1350	1350	1380	1540

Front view



Left side view



G : Minimum Height for Removing Piston ( Not included the dimension for bolt fitting to piston remove. )

Model	A	A'	B	C	D	E	F	G
6CHL-N	1861	1206	962	1382	1650	640	474	1165
6CHL-TN	1926	1206	962	1624	1700	640	474	1165
6CHL-TNA	1926	1206	962	1624	1700	640	474	1165
6CHL-HTN	1946	1256	962	1624	1700	640	474	1165
6CHL-HTNA	2051	1256	962	1634	1900	640	484	1175

— Generator