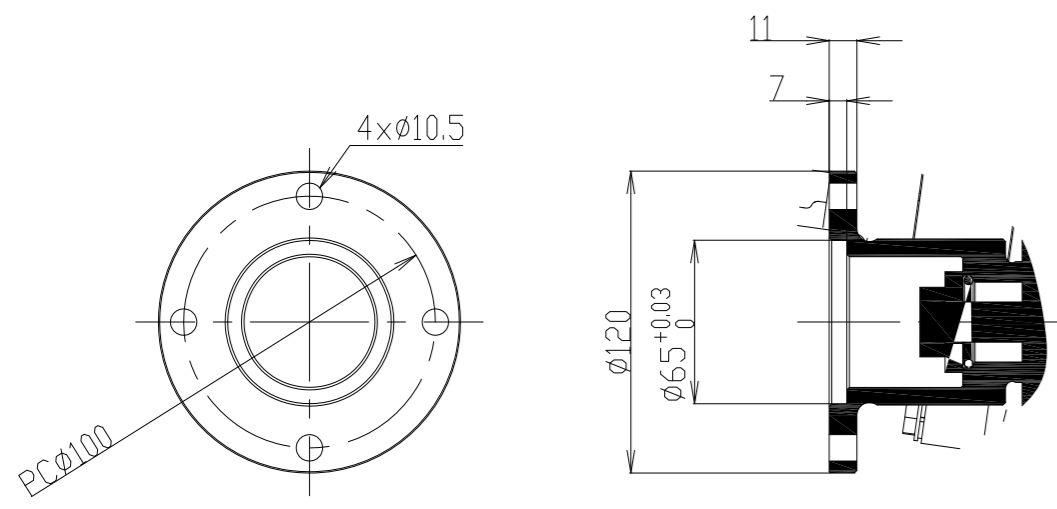
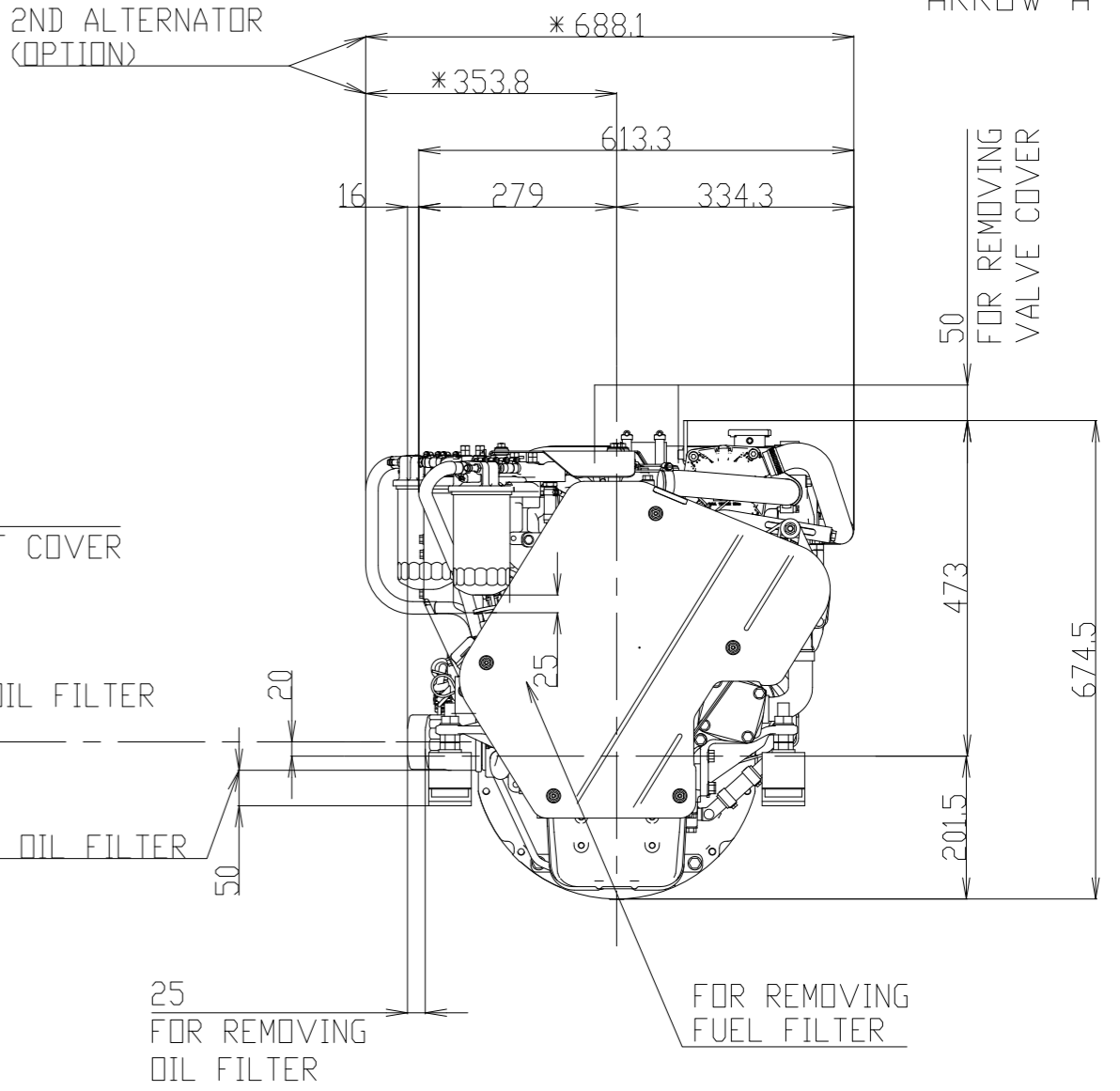
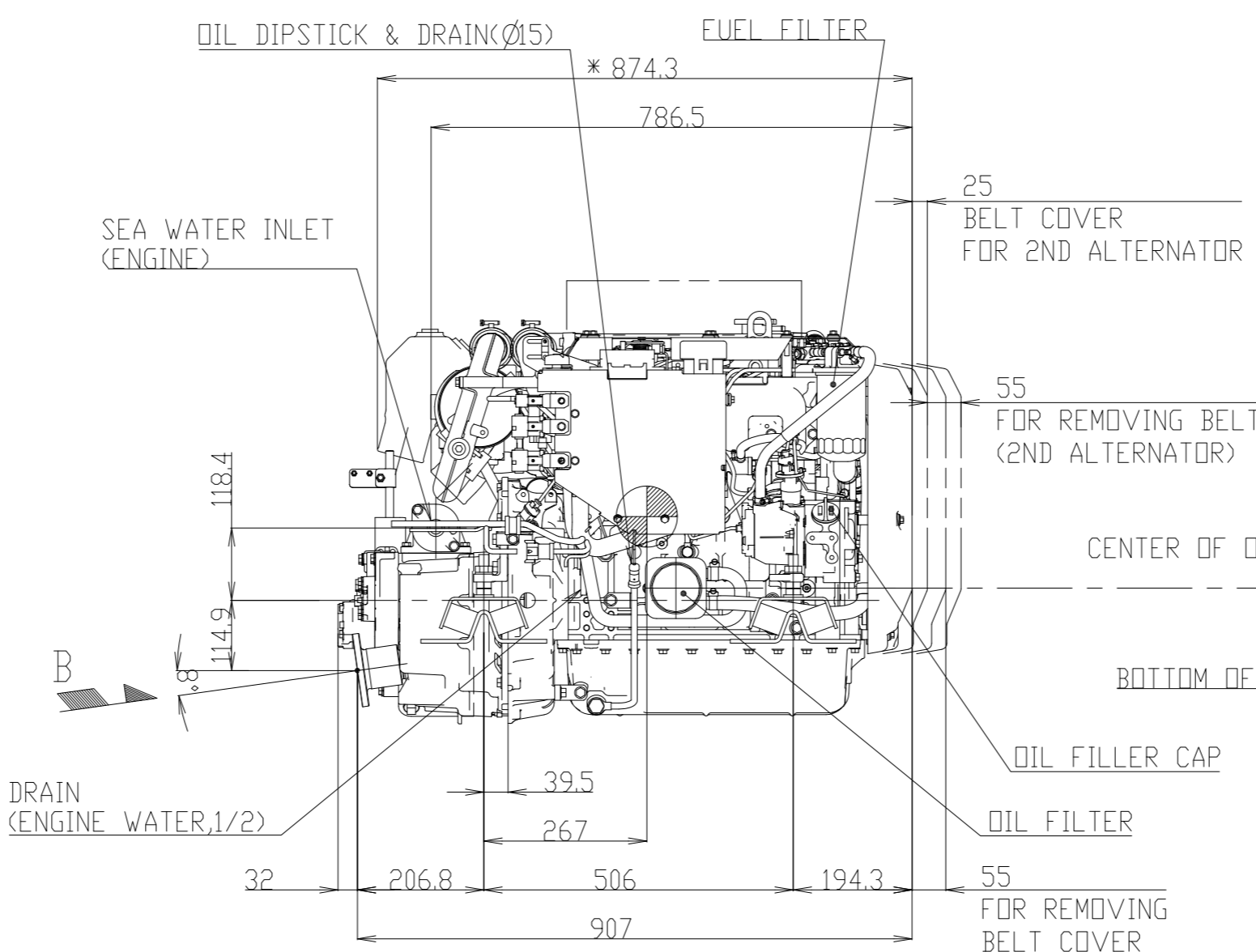
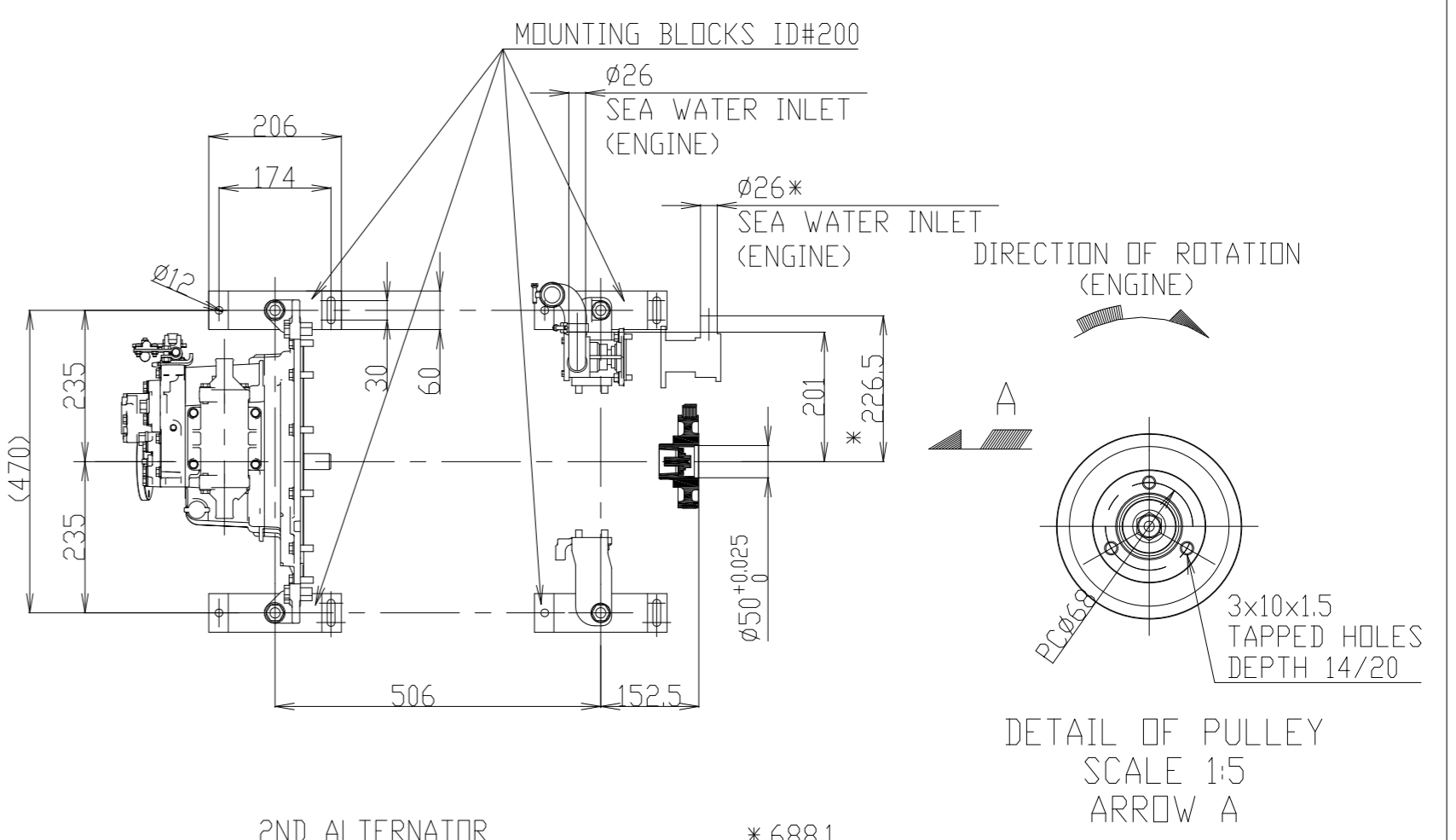
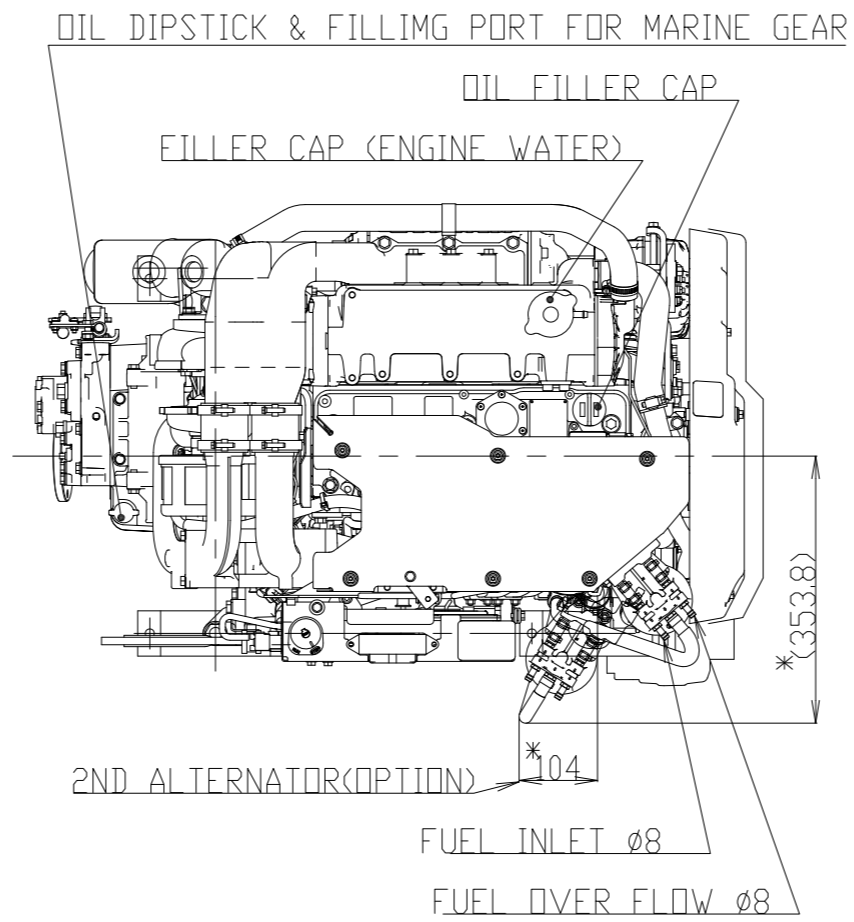
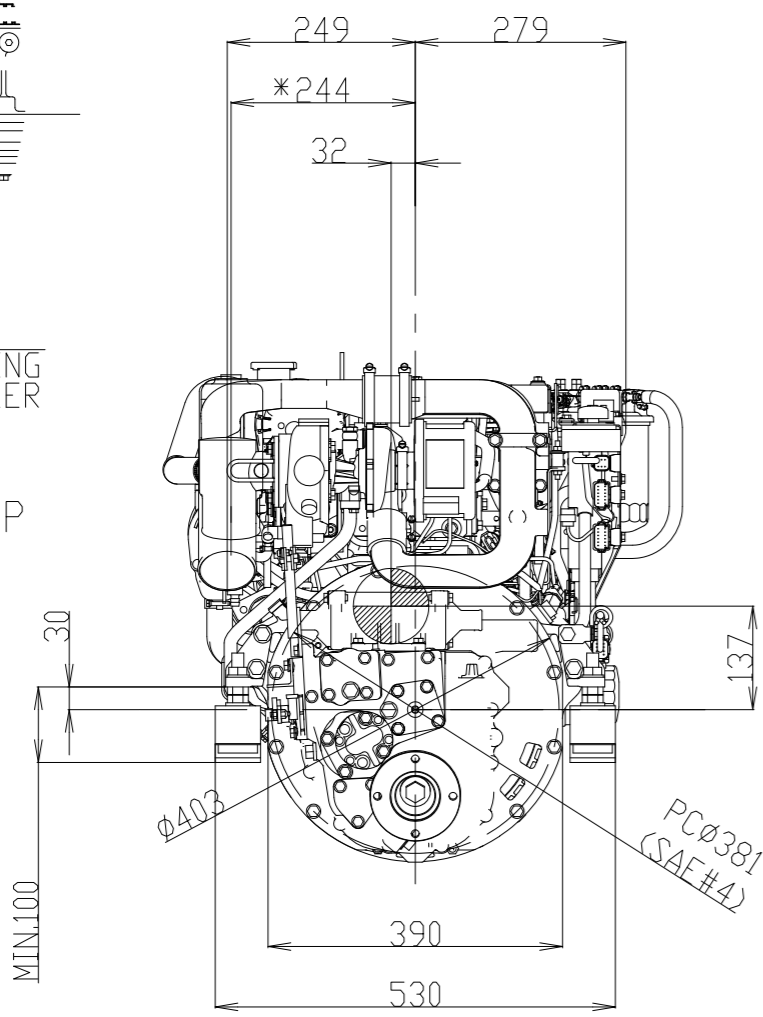


PART D FRONT MOUNT SWP (OPTION)



DETAIL OF COUPLING SCALE 1:3 ARROW B

NOTE
 1.MOUNTING BLOCKS ARE COMPRESSED ABOUT 4mm BY ENGINE WEIGHT.
 DIMENSIONS OF MOUNTING BLOCK IN THIS DRAWING ARE WITHOUT ANY DEFORMATION.
 2.MOUNTING BLOCKS ARE EQUIPPED FOR STANDARD ACCESSORY.
 3.THE FIGURES MARKED WITH * SHOW THE DIMENSIONS WITH U-MIXING ELBOW, OR OPTIONAL PARTS.
 4. ● SHOWS THE CENTER OF GRAVITY.

SPECIFICATIONS							
Model			4JH110		4JH80		
Continuous Power(ISO 8665)	kW/min ⁻¹		73.6 / 3101		53.5 / 3101		
Fuel Stop Power	Propeller shaft(ISO 8665)		kW/min ⁻¹		---		
	Crankshaft(ISO 8665)		kW/min ⁻¹		80.9 / 3200		58.8 / 3200
Reduction ratio	2.04	2.45	---	2.04	2.45	---	
Dry mass	kg		Approx.261				
Direction of Rotation at Output Coupling (Forward)	BOTH						

SCALE	NAME	MODEL
1:10	OUTLINE	4JH110-KMH4A
DATE	ORIGINAL DRAWING NUMBER	REVISION
17-3-2014	B2-29677-0031	0