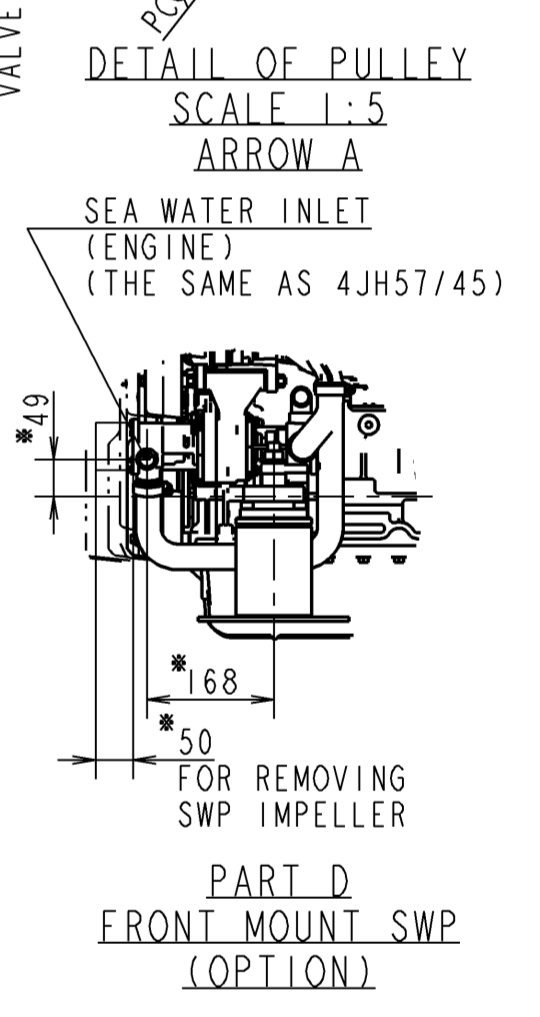
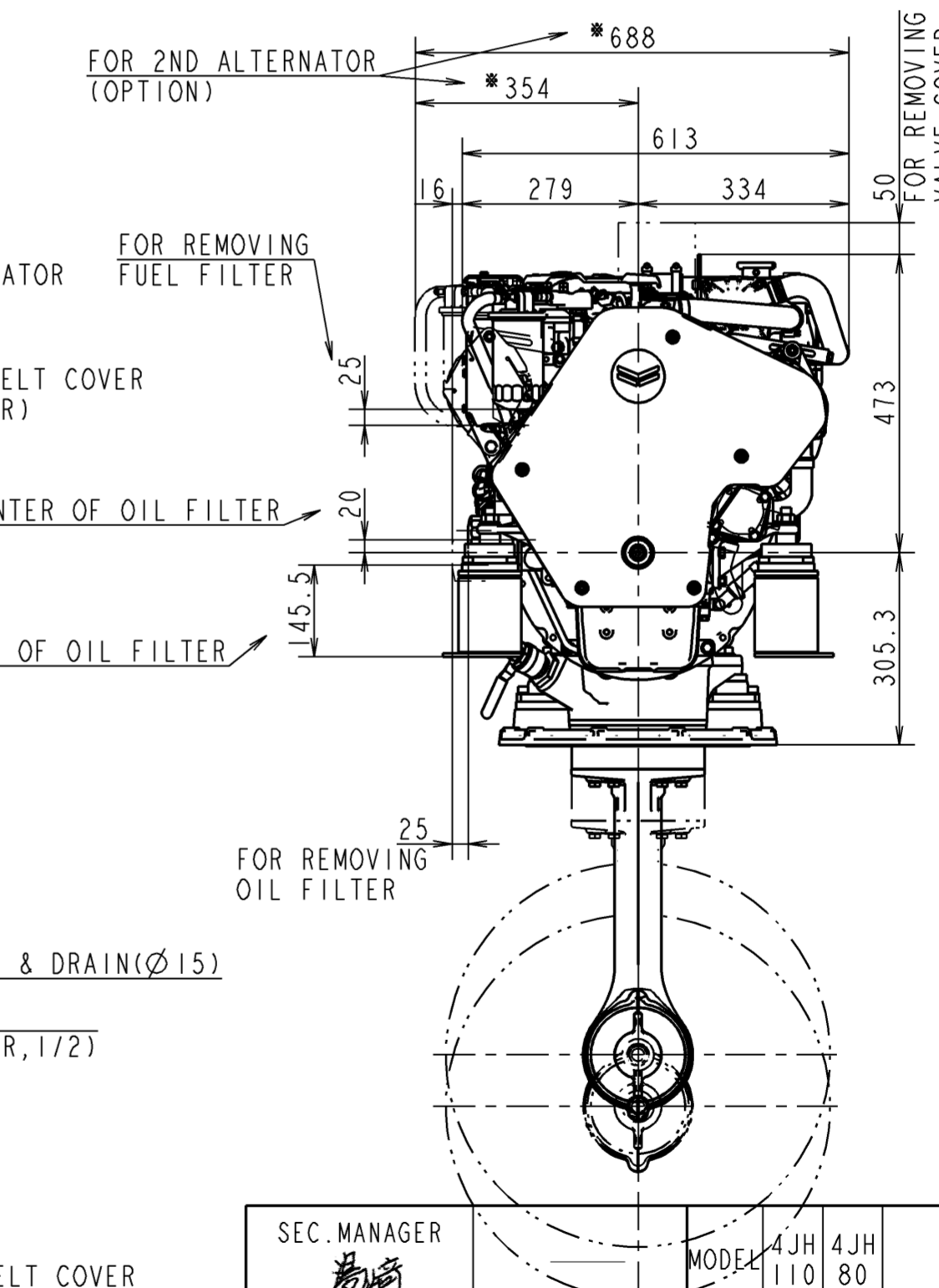
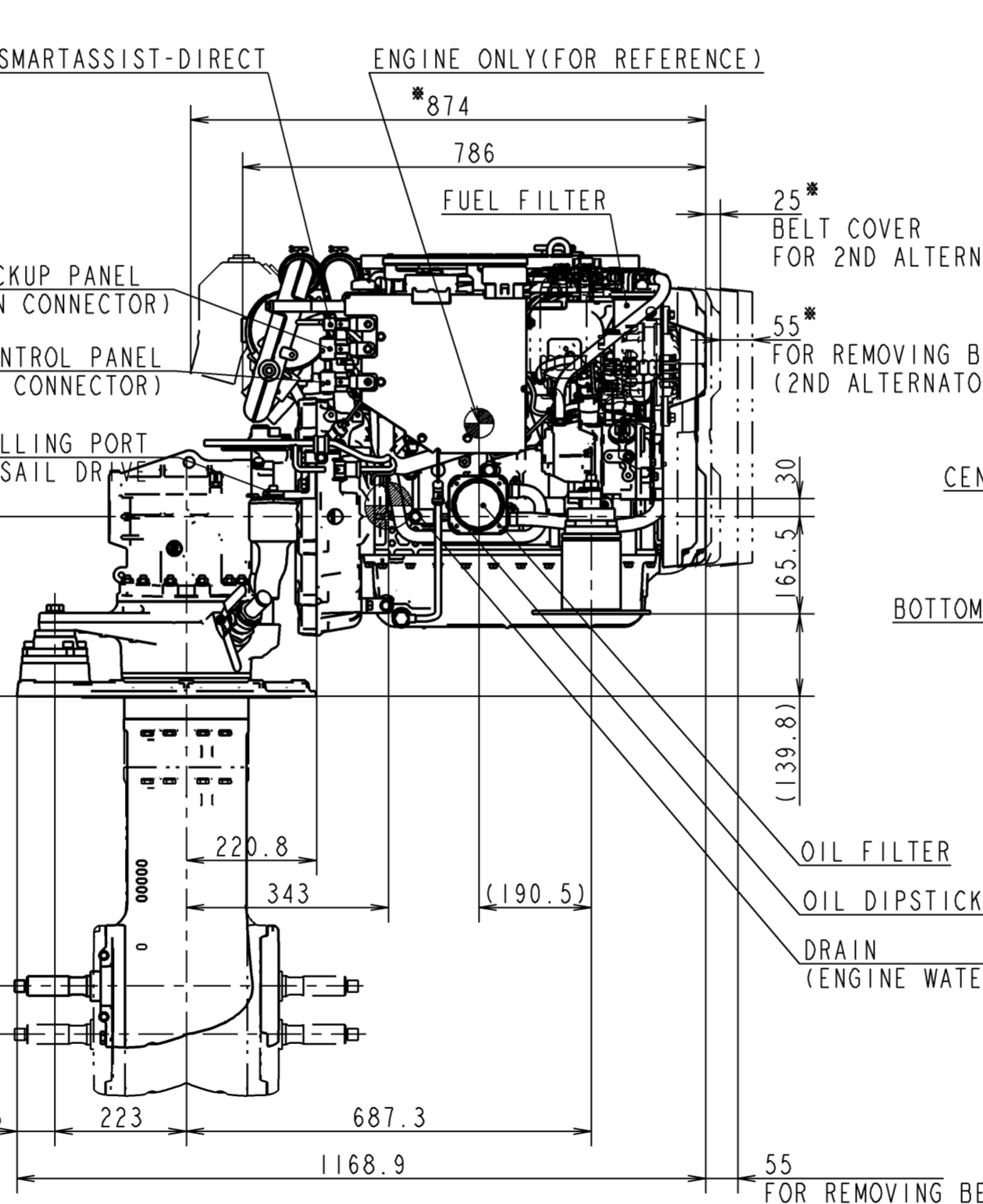
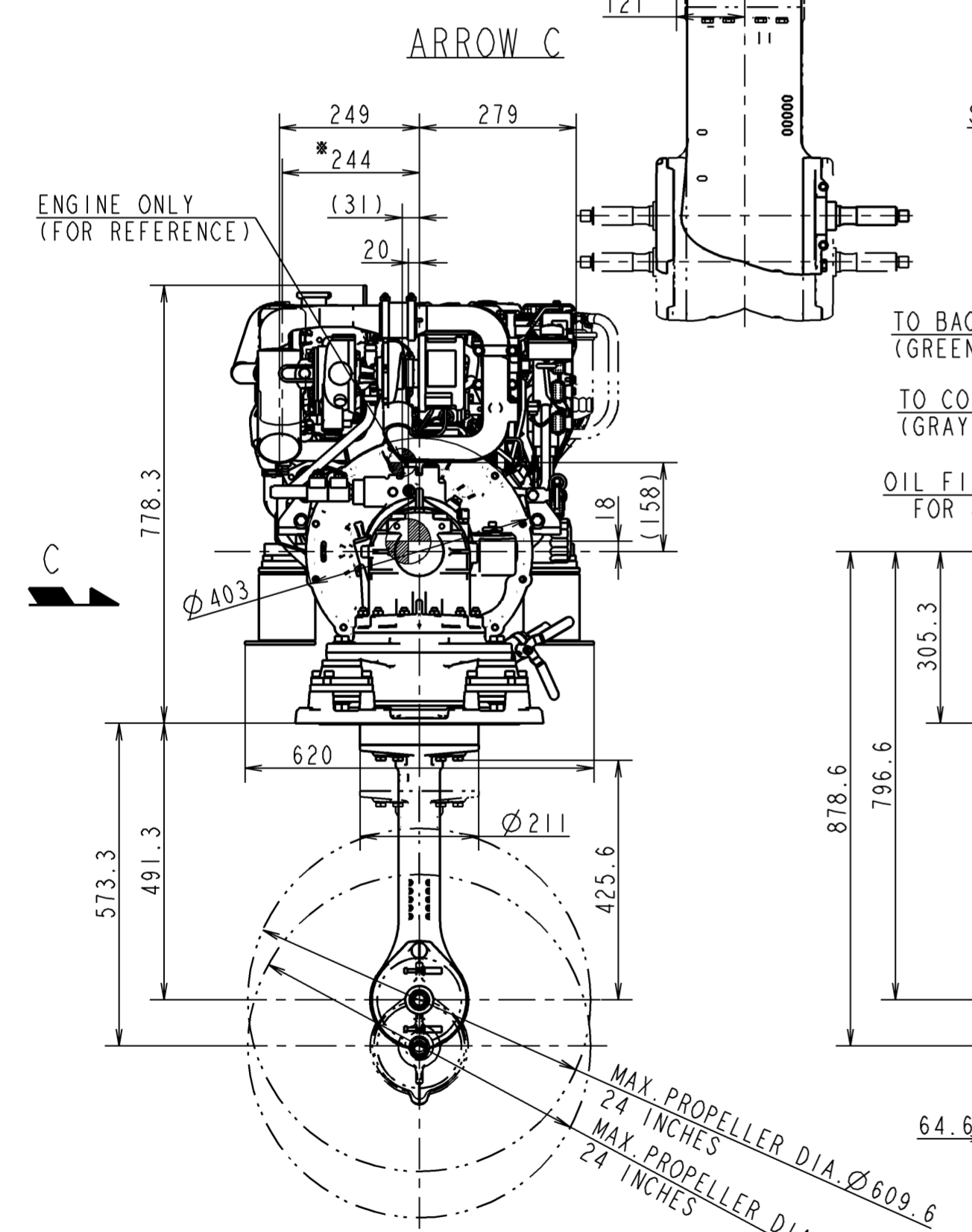
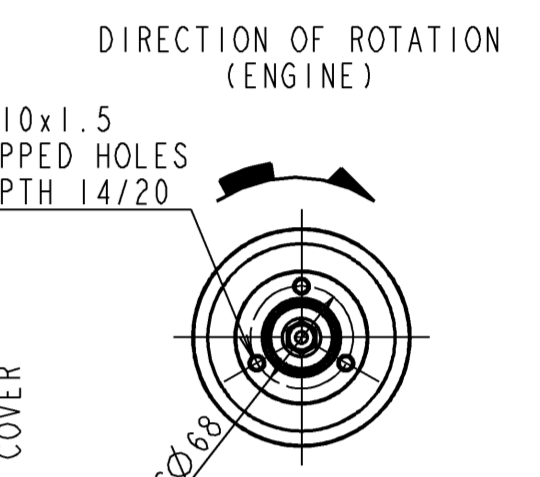
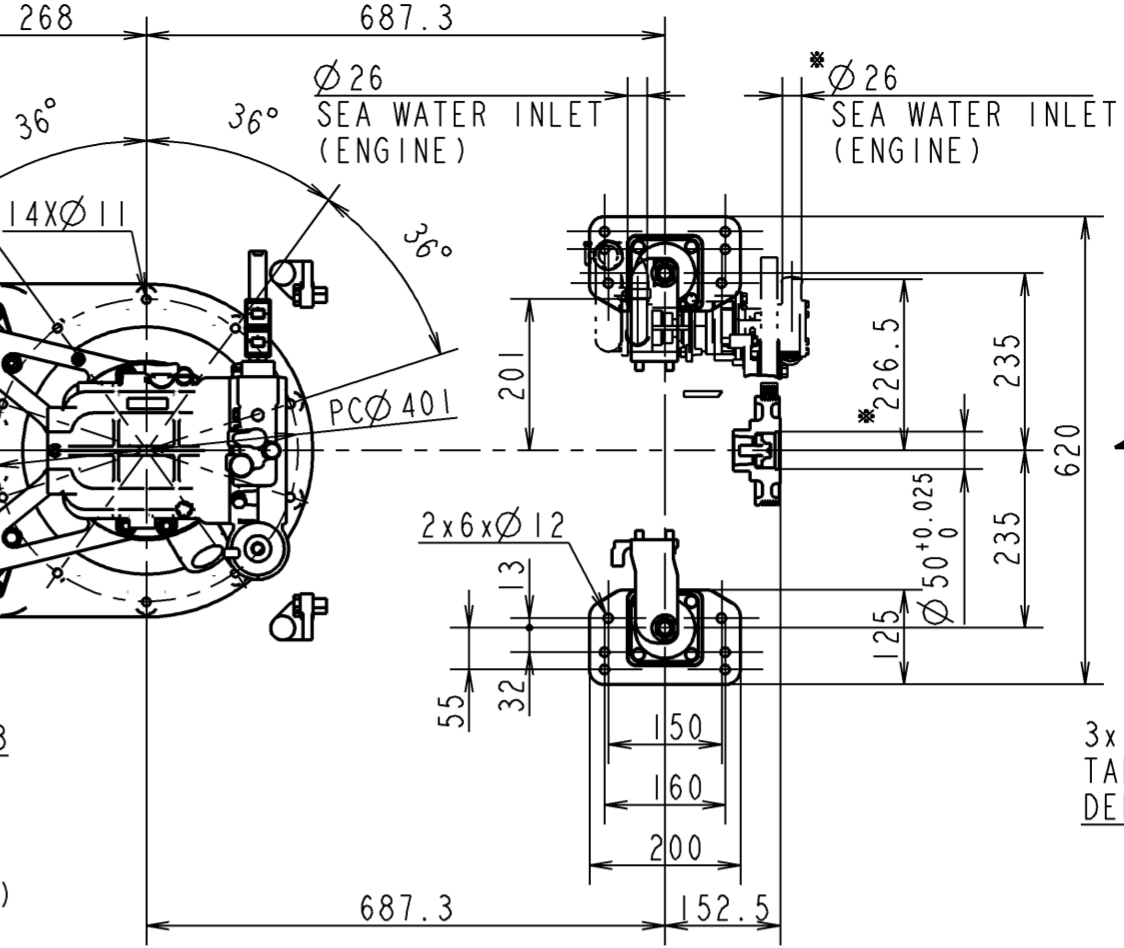
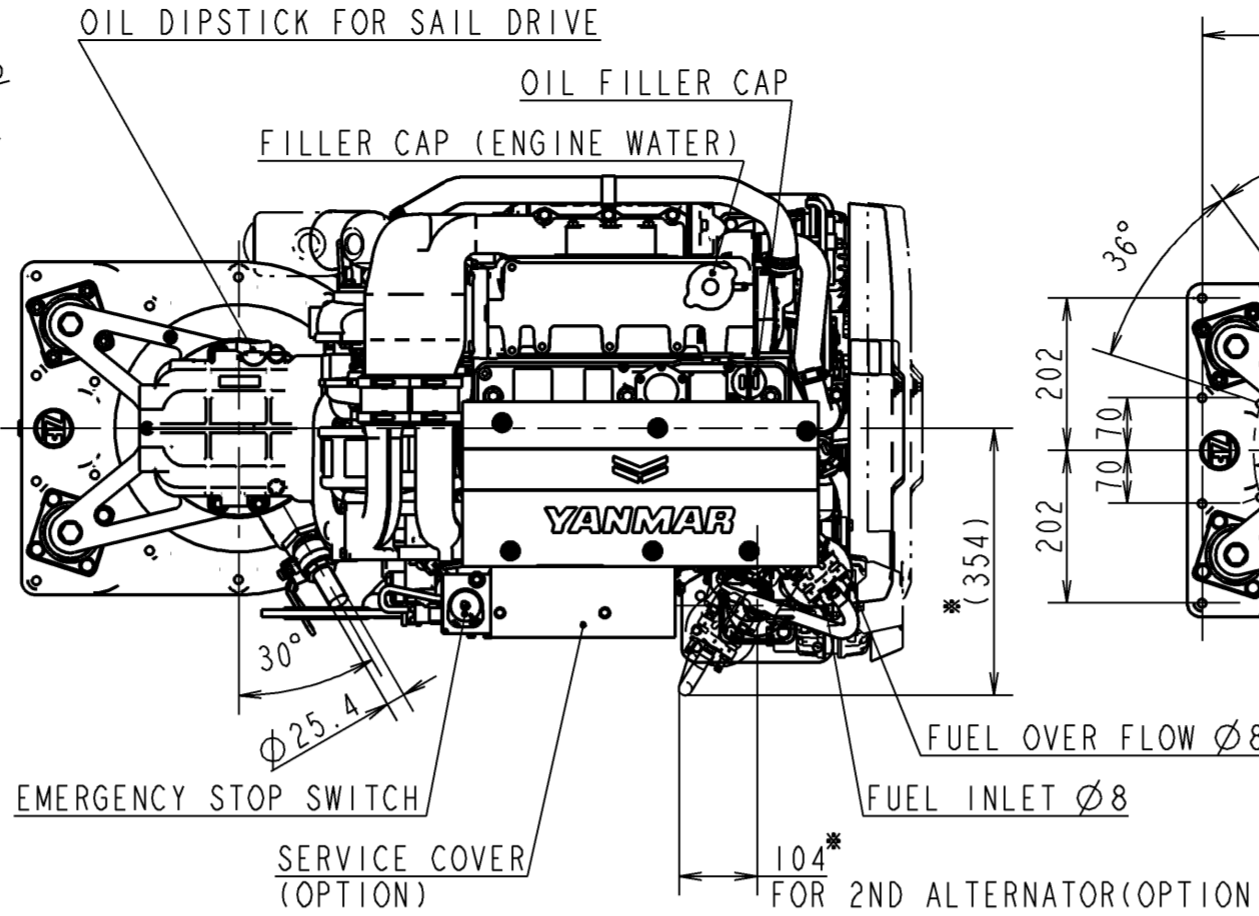
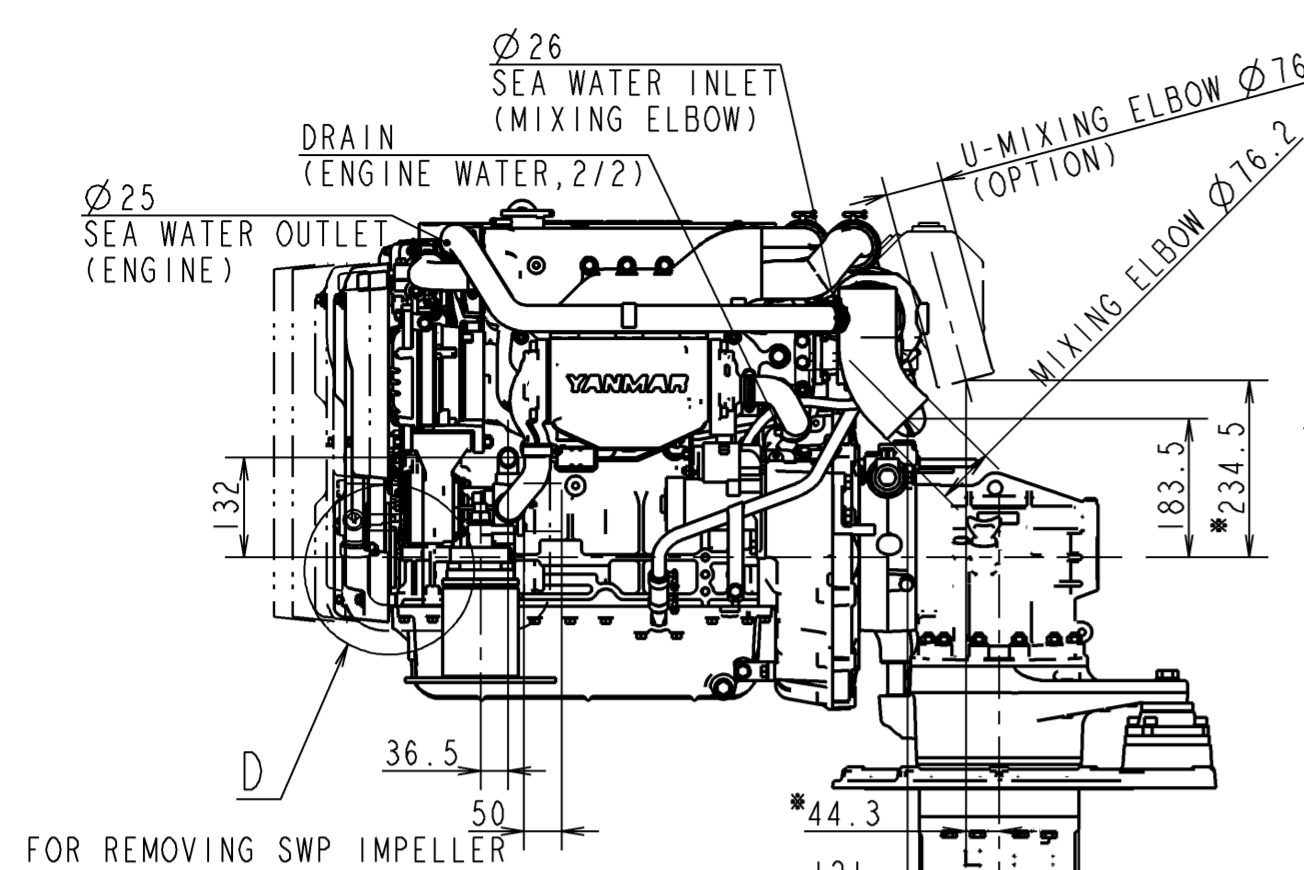


CAREER

(YDSBD-21005)



NOTE
 1. MOUNTING BLOCKS ARE COMPRESSED ABOUT 2mm BY ENGINE WEIGHT. DIMENSIONS OF MOUNTING BLOCK IN THIS DRAWING ARE WITHOUT ANY DEFORMATION.
 2. MOUNTING BLOCKS ARE EQUIPPED FOR STANDARD ACCESSORY.
 3. THE FIGURES MARKED WITH * SHOW THE DIMENSIONS WITH U-MIXING ELBOW, OR OPTIONAL PARTS.
 4. ● SHOWS THE CENTER OF GRAVITY.

SPECIFICATIONS		
Model	4JH110	4JH80
Continuous Power (ISO 8665)	kW/min ⁻¹ 73.6/3101	53.5/3101
Fuel Stop Power	Propeller shaft (ISO 8665)	---
	Crankshaft (ISO 8665)	kW/min ⁻¹ 80.9/3200 58.8/3200
Reduction ratio	2.51	
Dry mass kg	Approx. 334	
Direction of rotation at Propeller (Forward)	BOTH	

SEC. MANAGER 島崎	CHECKED 中村 肇	SPECIALIST 白比野	QTY -	MODEL 4JH110 4JH80	SCALE 1:10 (1:5)
DESIGNED K. Shiga	DRAWN S. Oohashi	DATE: Y.M.D 2021.6.8	MATERIAL ---		
OUTLINE, 4JH110XSD15			CODE B2-29677-0120		
YANMAR YANMAR POWER TECHNOLOGY CO., LTD.					DRAW SIZE A2

MANAGER
島崎