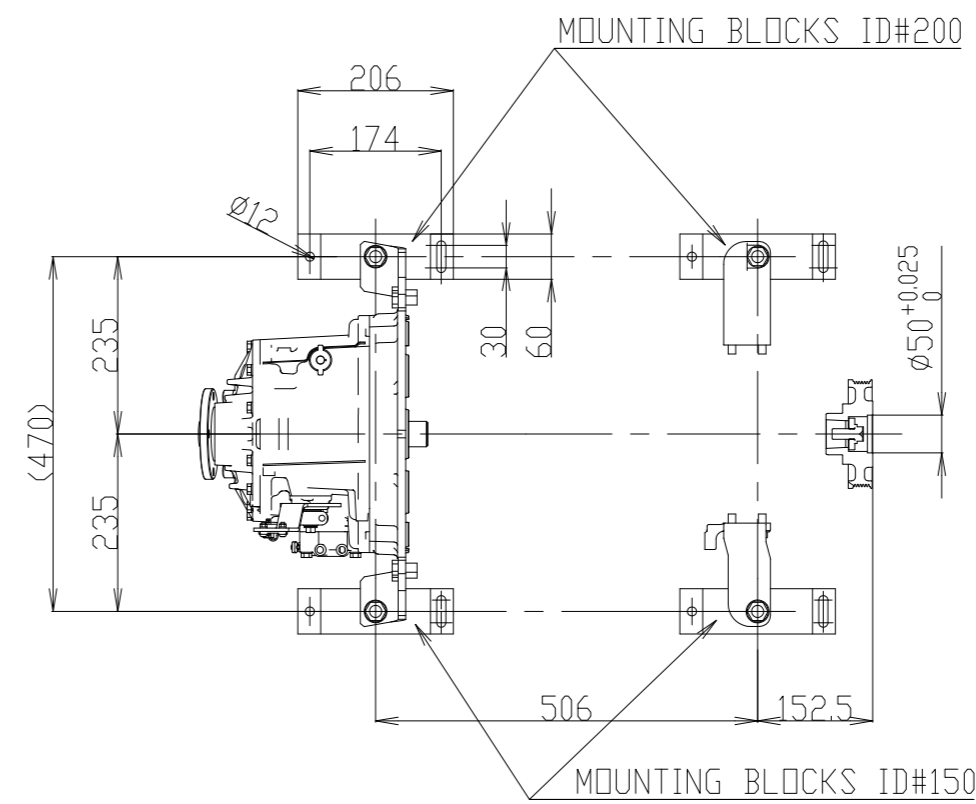
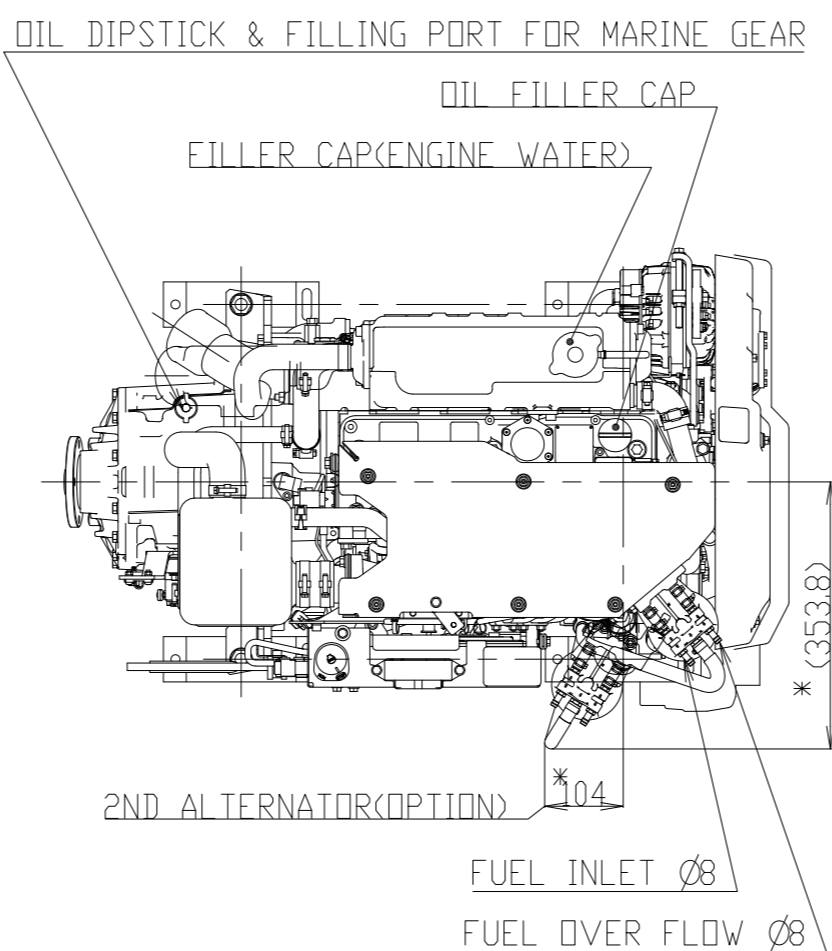
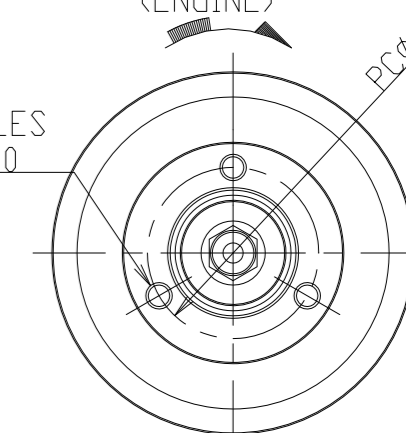


ARROW C

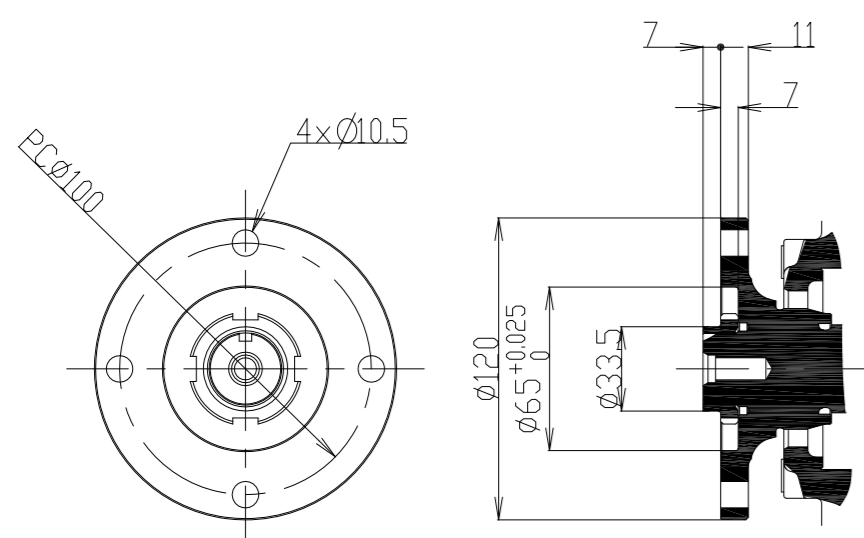
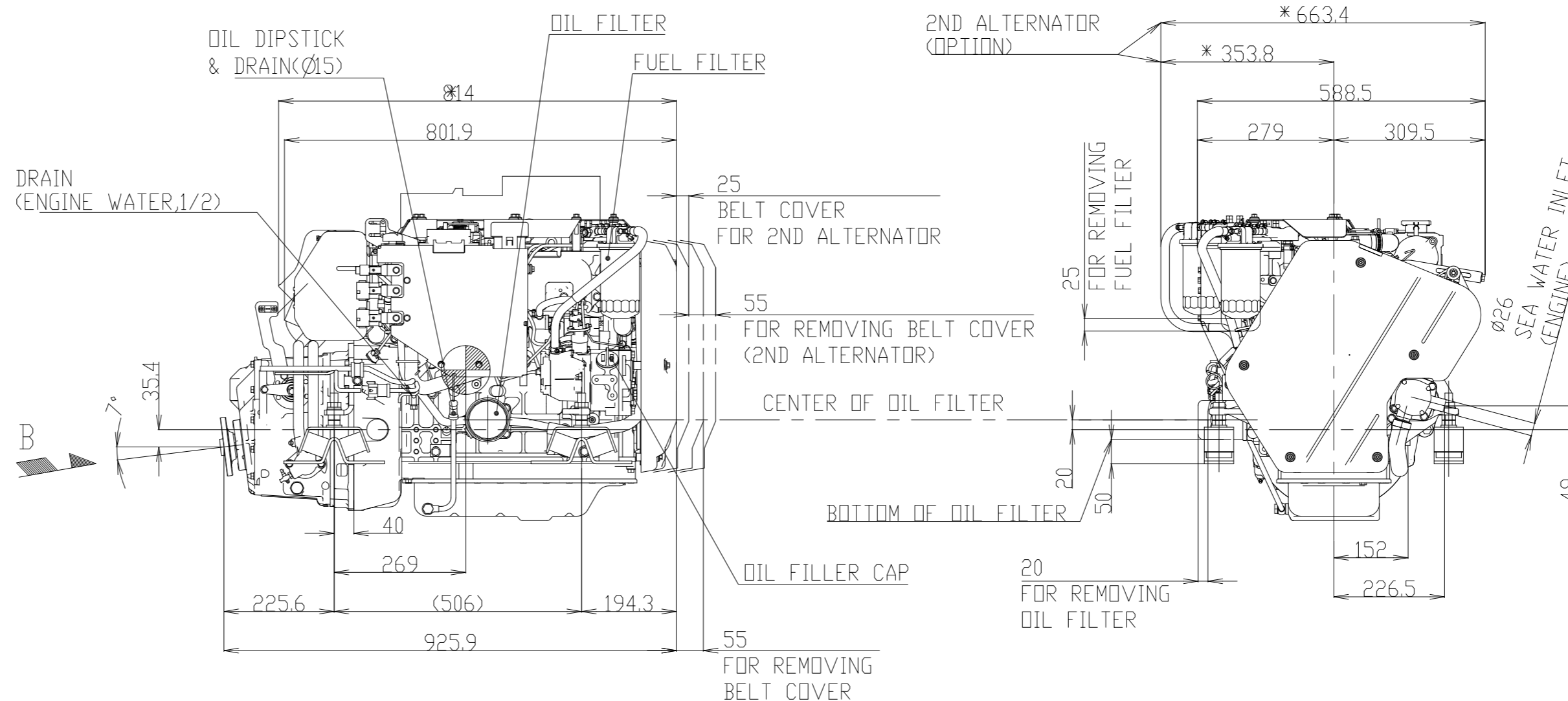
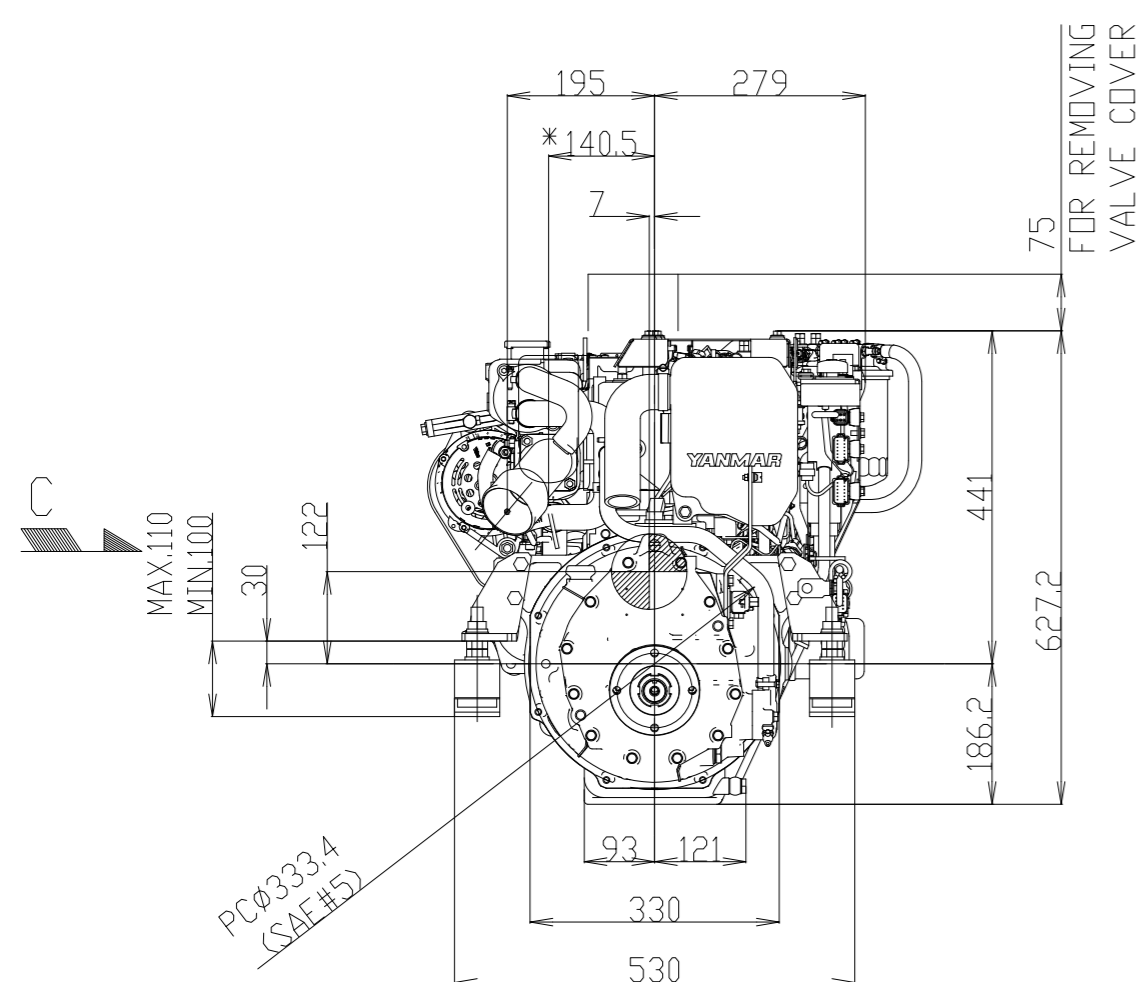


DIRECTION OF ROTATION (ENGINE)

3xM10x1.5 TAPPED HOLES DEPTH 14/20



DETAIL OF PULLEY SCALE 1:3 ARROW A



DETAIL OF COUPLING SCALE 1:3 ARROW B

- NOTE
- 1.MOUNTING BLOCKS ARE COMPRESSED ABOUT 4mm BY ENGINE WEIGHT. DIMENSIONS OF MOUNTING BLOCK IN THIS DRAWING ARE WITHOUT ANY DEFORMATION.
 - 2.MOUNTING BLOCKS ARE EQUIPPED FOR STANDARD ACCESSORY.
 - 3.THE FIGURES MARKED WITH * SHOW THE DIMENSIONS WITH U-MIXING ELBOW OR OPTIONAL PARTS.
 4. ● SHOWS THE CENTER OF GRAVITY.

SPECIFICATIONS		4JH57	4JH45
Model		4JH57	4JH45
Continuous Power(ISO 8665)	kW/min ⁻¹	38.1 / 2907	30.1 / 2907
Fuel Stop Power	Propeller shaft(ISO 8665) kW/min ⁻¹	---	---
	Crankshaft(ISO 8665) kW/min ⁻¹	41.9 / 3000	33.1 / 3000
Reduction ratio		1.47 2.14 2.63	1.47 2.14 2.63
Dry mass	kg	Approx.253	
Direction of rotation at output coupling(Forward)		BOTH	

SCALE	NAME	MODEL
1:10	OUTLINE	4JH57-KM4A1
DATE	ORIGINAL DRAWING NUMBER	REVISION
17-3-2014	B2-29675-0041	0