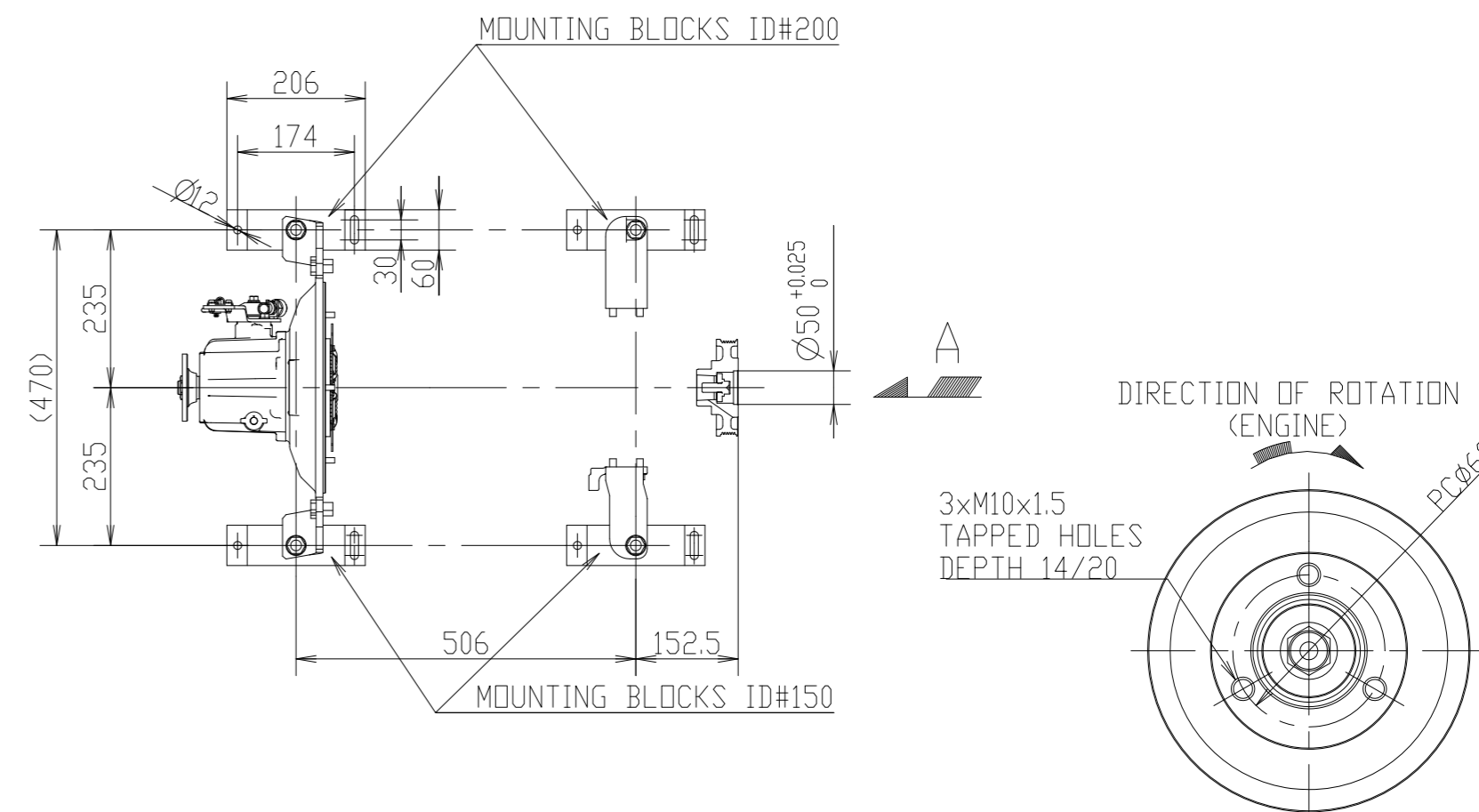
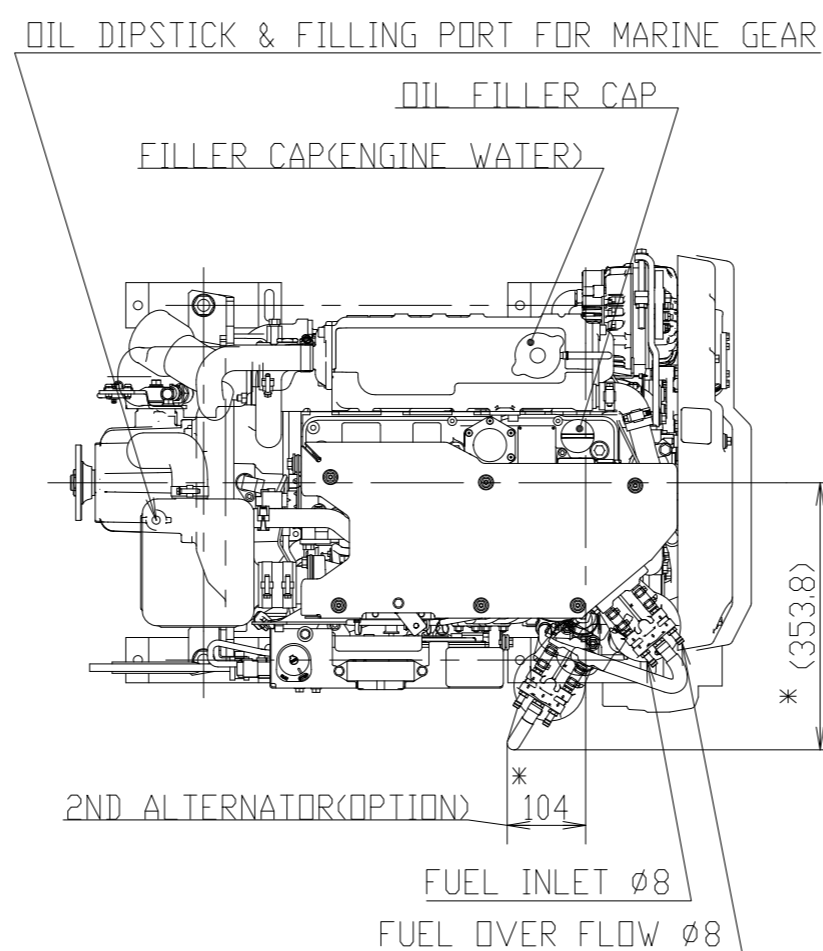
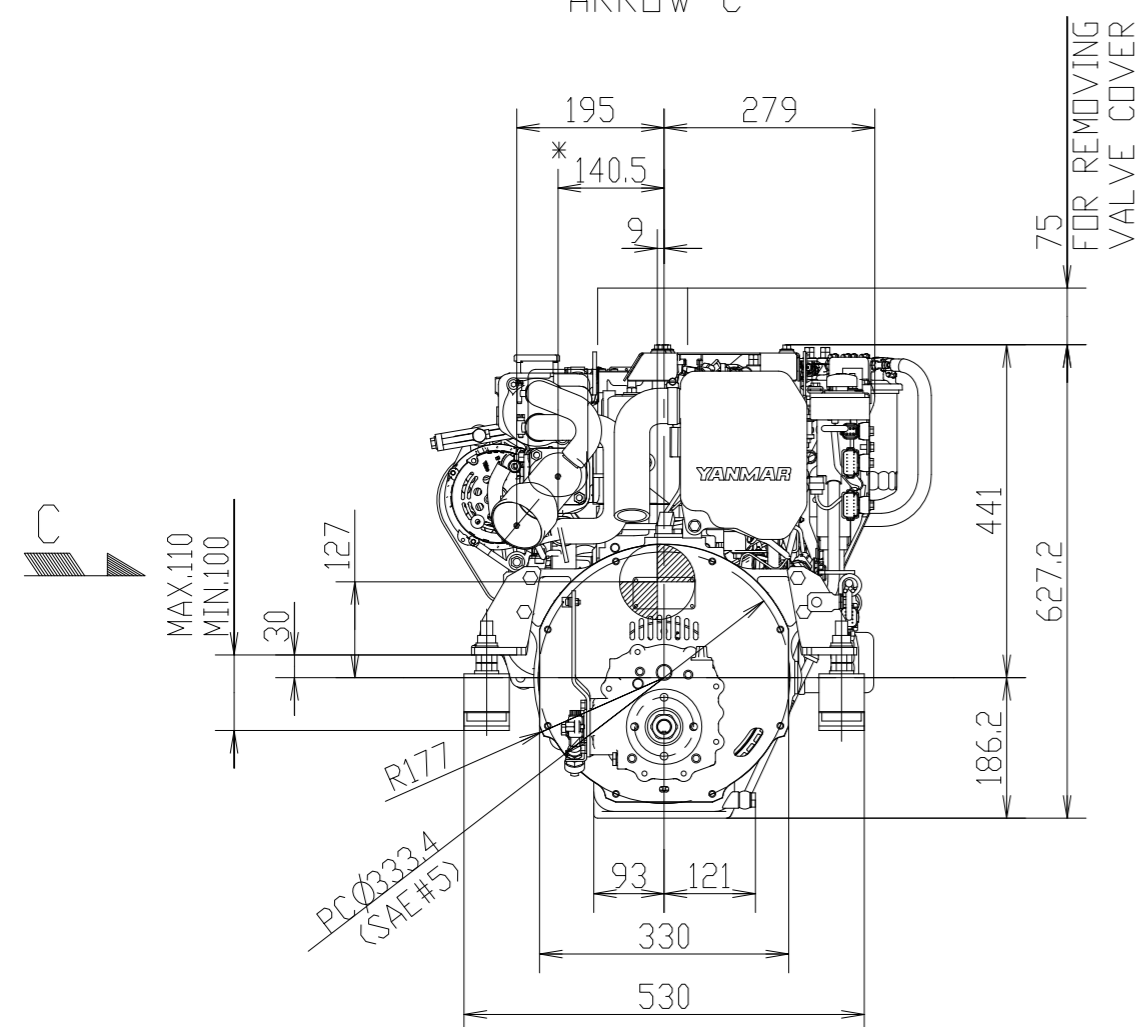
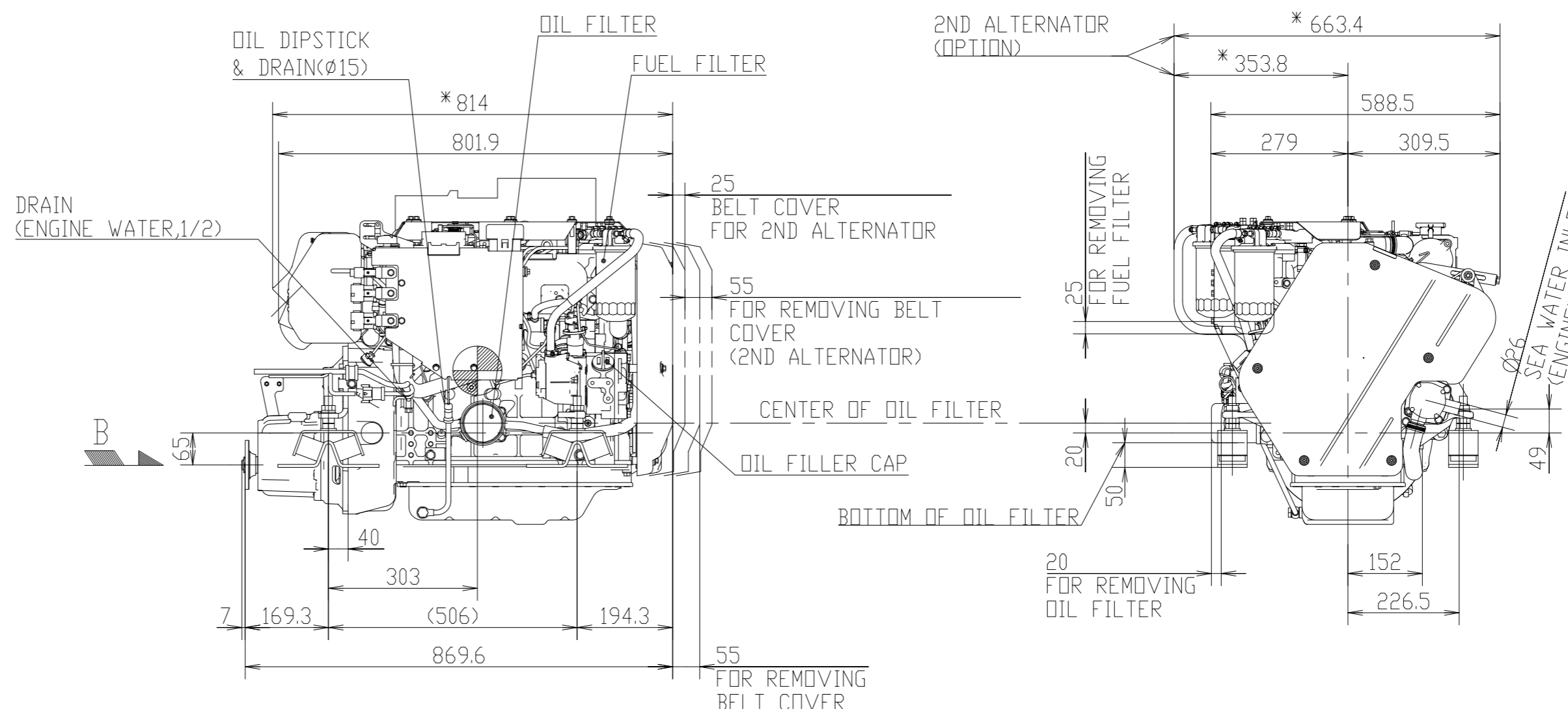


ARROW C

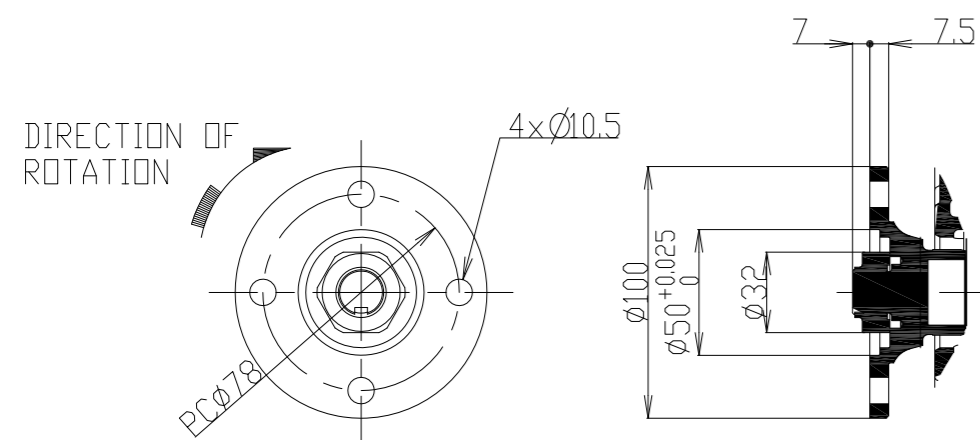


DETAIL OF PULLEY SCALE 1:3 ARROW A



NOTE

- 1.MOUNTING BLOCKS ARE COMPRESSED ABOUT 4mm BY ENGINE WEIGHT. DIMENSIONS OF MOUNTING BLOCK IN THIS DRAWING ARE WITHOUT ANY DEFORMATION.
- 2.MOUNTING BLOCKS ARE EQUIPPED FOR STANDARD ACCESSORY.
- 3.THE FIGURES MARKED WITH * SHOW THE DIMENSIONS WITH U-MIXING ELBOW OR OPTIONAL PARTS.
4. ● SHOWS THE CENTER OF GRAVITY.



DETAIL OF COUPLING SCALE 1:3 ARROW B

SPECIFICATIONS			
Model		4JH57	4JH45
Continuous Power(ISO 8665)	kW/min ⁻¹	38.1 / 2907	30.1 / 2907
Fuel Stop Power	Propeller shaft(ISO 8665)	---	---
	Crankshaft(ISO 8665)	kW/min ⁻¹	41.9 / 3000 33.1 / 3000
Reduction ratio		2.36 2.61 ---	2.36 2.61 ---
Dry mass	kg	Approx.235	
Direction of rotation at output coupling(Forward)		clockwise	

SCALE	NAME	MODEL
1:10	OUTLINE	4JH57-KM35P
DATE	ORIGINAL DRAWING NUMBER	REVISION
17-3-2014	B2-29675-0021	0