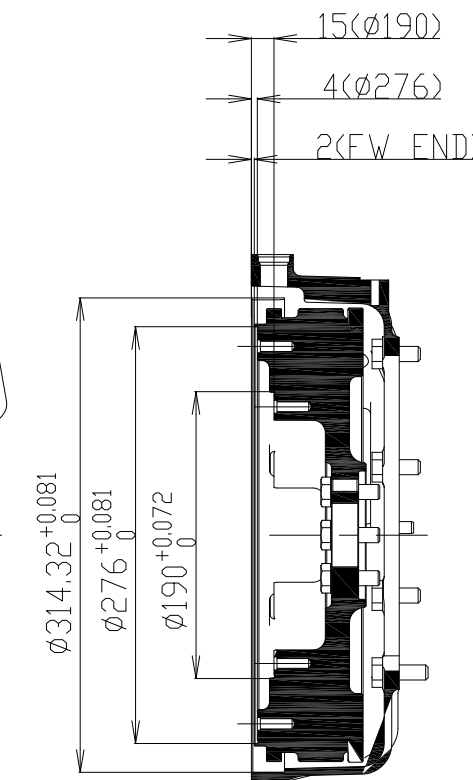
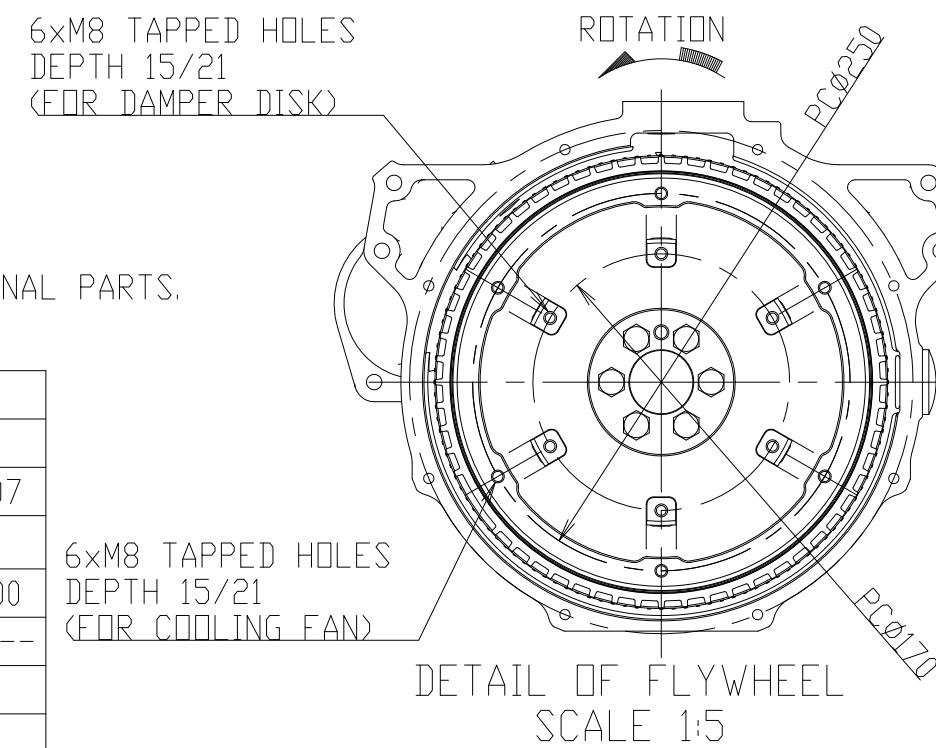


DETAIL OF PULLEY SCALE 1:3 ARROW A



NOTE
 1.MOUNTING BLOCKS ARE COMPRESSED ABOUT 4mm BY ENGINE WEIGHT. DIMENSIONS OF MOUNTING BLOCK IN THIS DRAWING ARE WITHOUT ANY DEFORMATION.
 2.MOUNTING BLOCKS ARE EQUIPPED FOR STANDARD ACCESSORY.
 3.THE FIGURES MARKED WITH * SHOW THE DIMENSIONS WITH U-MIXING ELBOW OR OPTIONAL PARTS.
 4. ● SHOWS THE CENTER OF GRAVITY.

| SPECIFICATIONS | | | 4JH57 | 4JH45 |
|----------------------------------|---------------------------|----------------------|-------------------|-------------|
| Model | | | 38.1 / 2907 | 30.1 / 2907 |
| Continuous Power(ISO 8665) | | kW/min ⁻¹ | | |
| Fuel Stop Power | Propeller shaft(ISO 8665) | kW/min ⁻¹ | --- | --- |
| | Crankshaft(ISO 8665) | kW/min ⁻¹ | 41.9 / 3000 | 33.1 / 3000 |
| Reduction ratio | | | --- | --- |
| Dry mass | kg | | Approx.220 | |
| Direction of Crankshaft rotation | | | Counter-clockwise | |

6xM8 TAPPED HOLES DEPTH 15/21 (FOR COOLING FAN)

| SCALE | NAME | MODEL |
|-----------|-------------------------|----------|
| 1:10 | OUTLINE | 4JH57/45 |
| DATE | ORIGINAL DRAWING NUMBER | REVISION |
| 17-3-2014 | B2-29675-0011 | 0 |