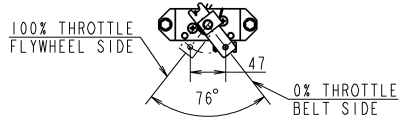
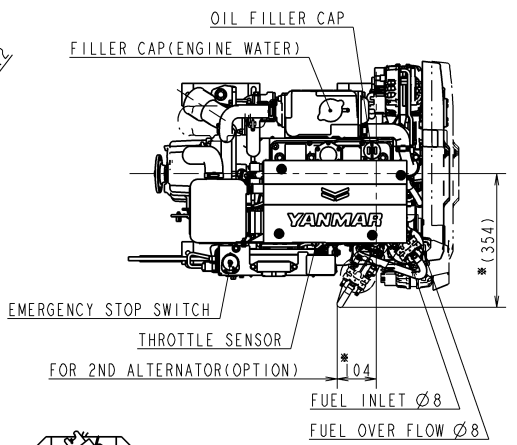
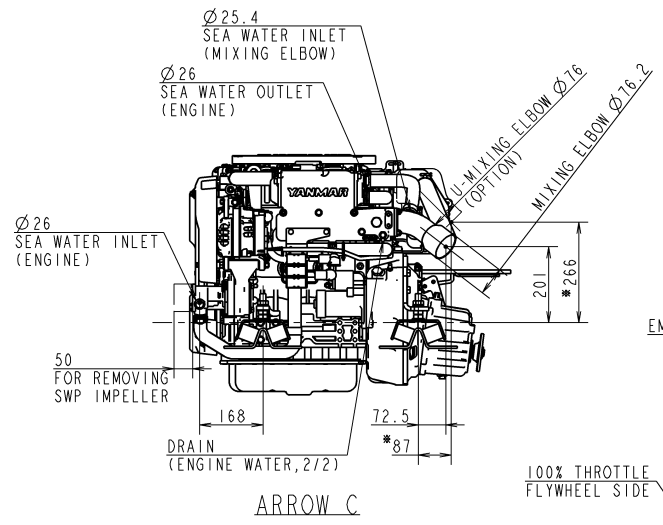
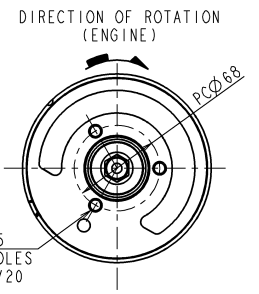
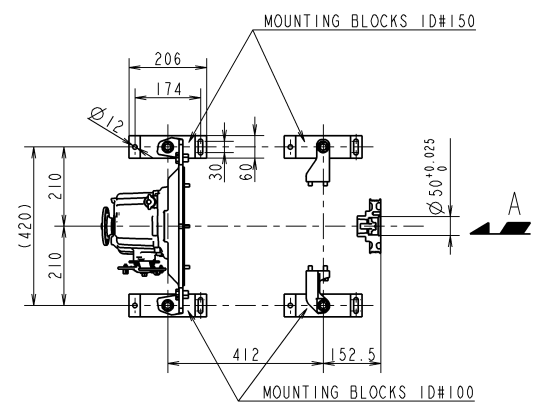


CAREER

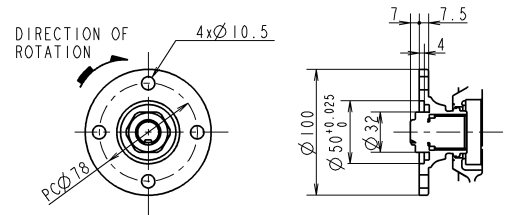
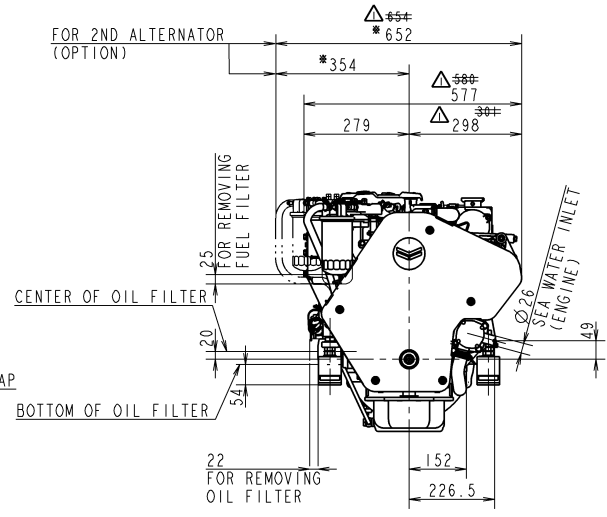
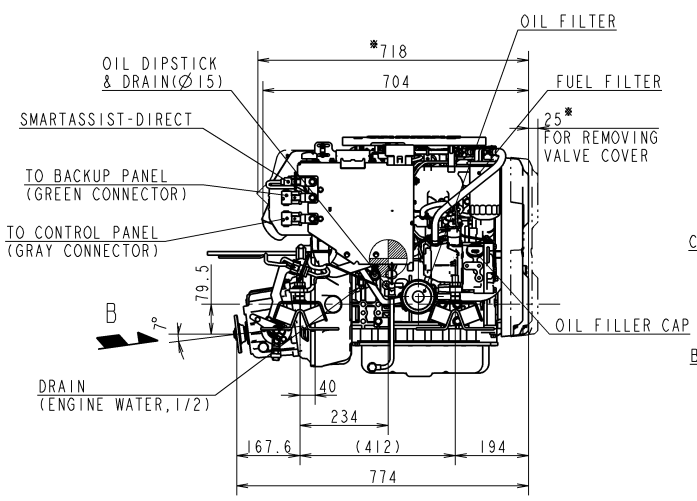
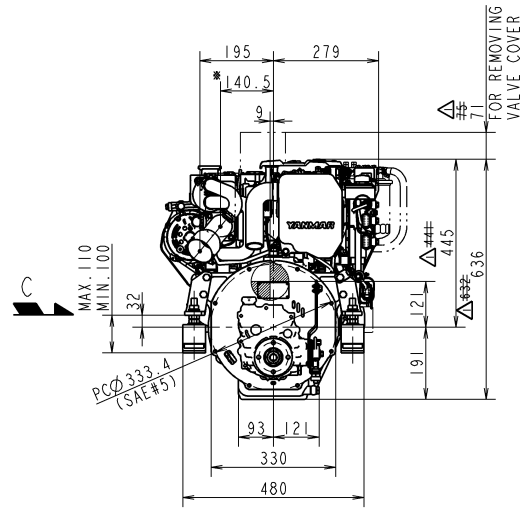
REV.1(2018.3.20) CHANGE TOP COVER AND BELT COVER (YDSBD-18002)



THROTTLE SENSOR SCALE 1:5



DETAIL OF PULLEY SCALE 1:3 ARROW A



DETAIL OF FLYWHEEL SCALE 1:3 ARROW B

- NOTE
1. MOUNTING BLOCKS ARE COMPRESSED ABOUT 4mm BY ENGINE WEIGHT. DIMENSIONS OF MOUNTING BLOCK IN THIS DRAWING ARE WITHOUT ANY DEFORMATION.
 2. MOUNTING BLOCKS ARE EQUIPPED FOR STANDARD ACCESSORY.
 3. THE FIGURES MARKED WITH * SHOW THE DIMENSIONS WITH U-MIXING ELBOW OR OPTIONAL PARTS.
 4. \bullet SHOWS THE CENTER OF GRAVITY.

SPECIFICATIONS		
Model		3JH40
Continuous Power (ISO 8665)	kW/min ⁻¹	26.8 / 2907
Fuel Stop Power	Propeller shaft (ISO 8665) kW/min ⁻¹	---
	Crankshaft (ISO 8665) kW/min ⁻¹	29.4 / 3000
Reduction ratio		2.33 / 2.64 / ---
Dry mass	kg	Approx. 205
Direction of Crankshaft rotation		Counter-clockwise

量産用 FOR MASS PRODUCTION

MANAGER
山口

SEC. MANAGER 北本	MODEL 3JH40	QTY -	SCALE 1:10
CHECKED 北本	SPECIALIST	MATERIAL	
DESIGNED K.SHIGA	DATE: Y.M.D 2017.4.10	NAME OUTLINE, 3JH40-KM35A	
			CODE B2-29272-0040
YANMAR CO., LTD. DEVELOPMENT DIV.			DRAW SIZE A2