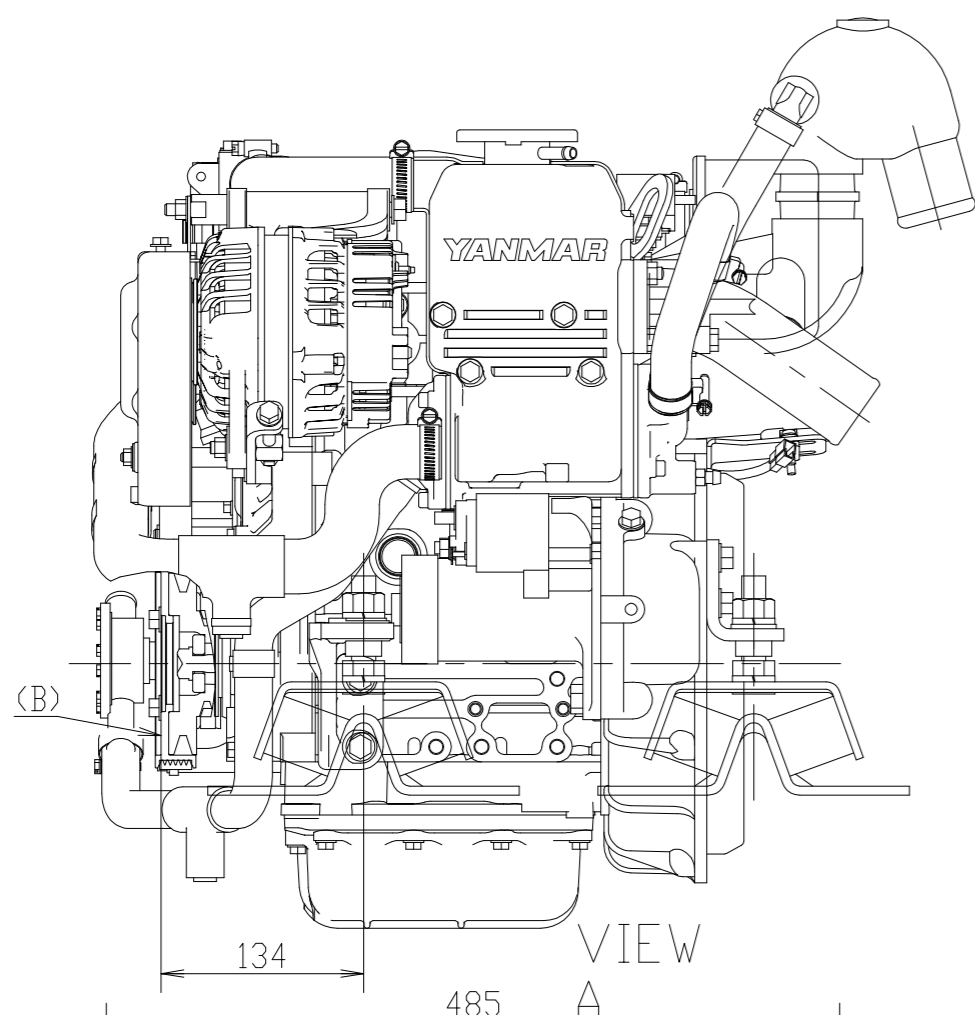
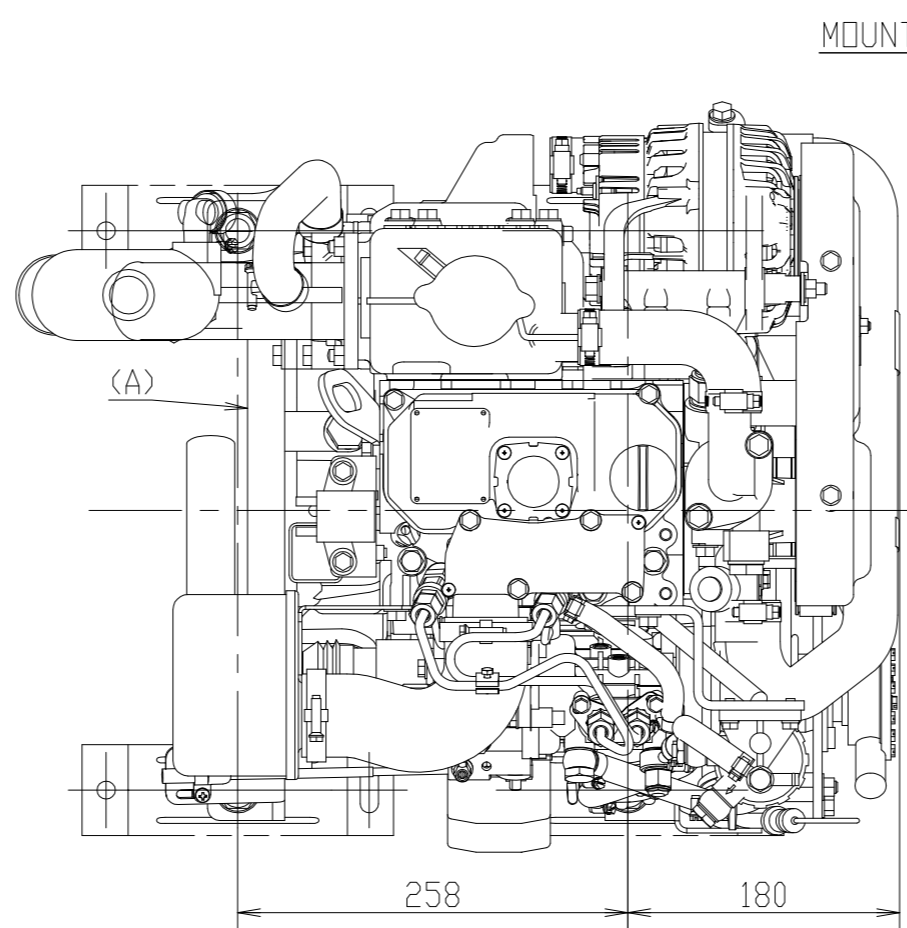


CAREER



VIEW A



(A)

258

180

MOUNTING BLOCKS ID#75

4xØ17

MOUNTING BLOCKS ID#100

185

185

60

4xØ12

174

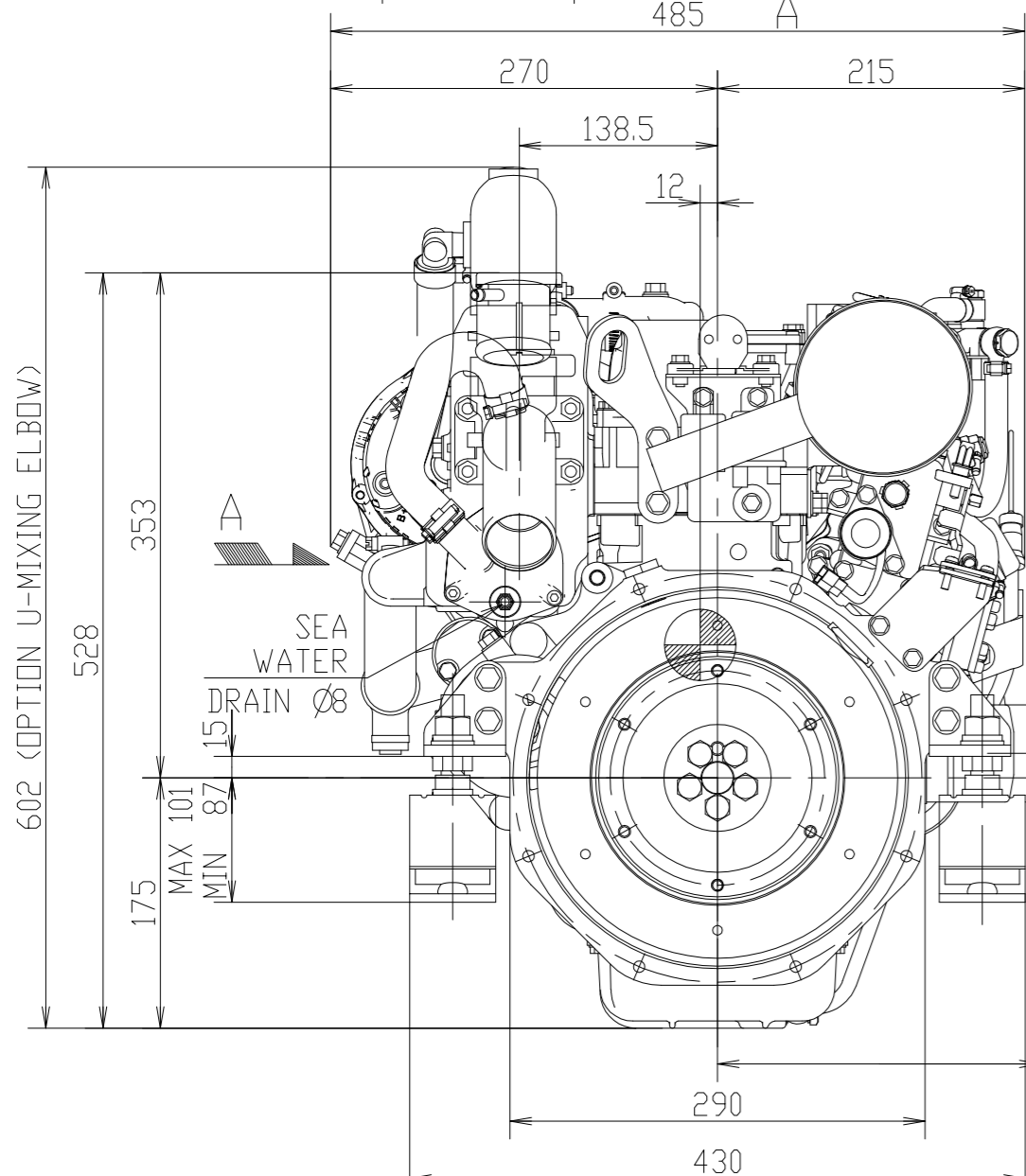
206

12X30

258

134

VIEW B



U-MIXING ELBOW (OPTIONAL)

EXHAUST PIPE Ø51

EXHAUST PIPE Ø51

293

164

122

15

69.5

FRESH WATER DRAIN Ø8

226 (LD FILTER)

290

430

24.5

16.5

8

Ø266.7 +0.1

Ø252 +0.063

Ø170 H8 (0)

Ø19.5

106

31

185

258

180

521

FUEL OVERFLOW Ø8.0

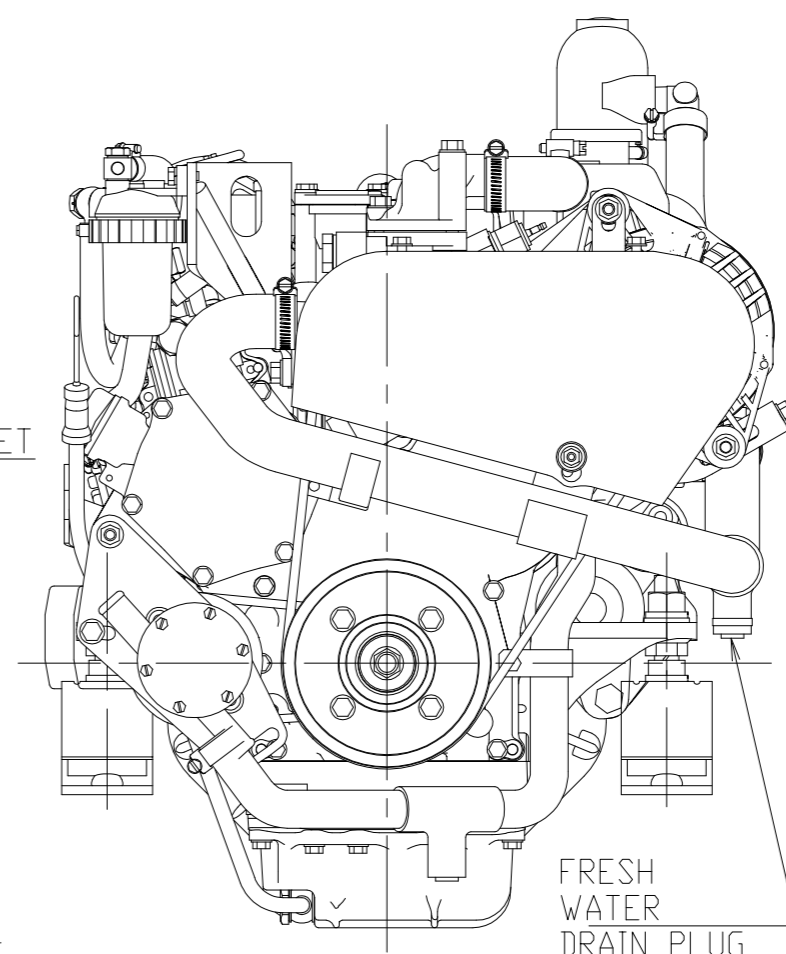
FUEL INLET Ø8.3

WATER INLET Ø19.5

SEA WATER DRAIN PLUG

SPECIFICATIONS

MODEL		2YM15
Continuous Power	(ISO8665) kW/min <sup>-1</sup>	9.1/3489
Fuel Stop Power	Crankshaft (ISO8665) kW/min <sup>-1</sup>	10.0/3600
Reduction Ratio		-
Engine Mass	kg	Approx.104
Direction Of Propeller Shaft Rotation		Clockwise



DIRECTION OF ROTATION

3.9

Ø63.5

Ø121

3

Ø121

Ø63.5

Ø121

Ø121

Ø121

Ø121

Ø121

Ø121

Ø121

Ø121

Ø121

Ø121

Ø121

Ø121

Ø121

Ø121

Ø121

Ø121

Ø121

Ø121

Ø121

Ø121

Ø121

Ø121

Ø121

Ø121

4xM8 BOLT

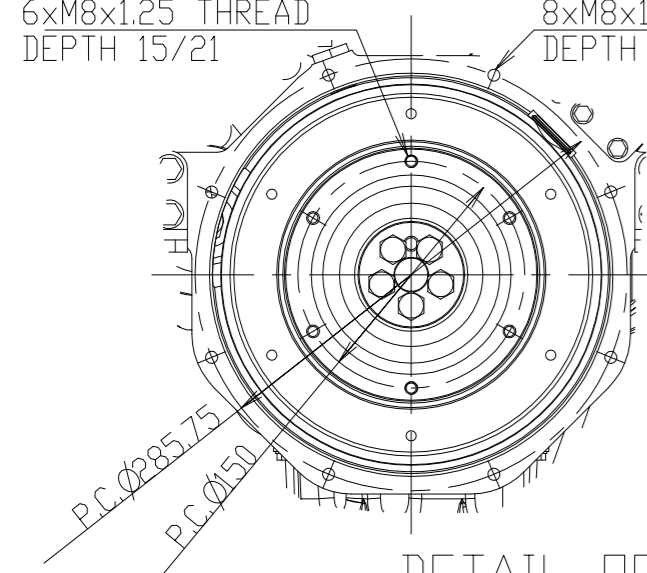
DETAIL OF PULLEY(B) (SCALE 1:3)

MANAGER

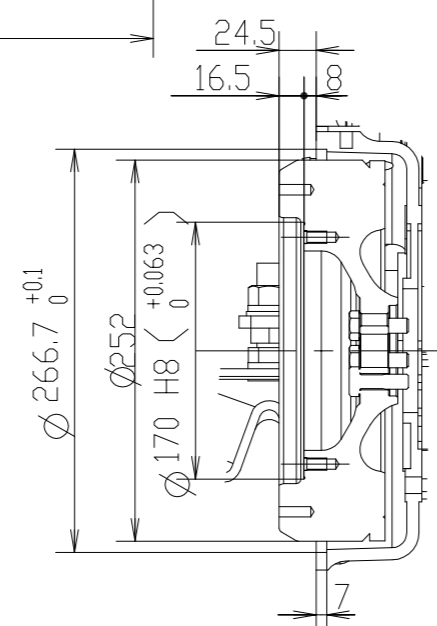
SEC.MANAGER	MODEL	2YM15	SCALE	1:5
CHECKED	SPECIALIST	QTY	MATERIAL	
DESIGNED	DRAWN	DATE:Y.M.D	NAME	
K.Shiga	F.Kishida	2015.1.26	2YM15 がいば	
<b>YANMAR</b>				
YANMAR CO.,LTD. MARINE OPERATIONS DIV.				
CODE	B2-28790-0030	DRAW SIZE	A2	

6xM8x1.25 THREAD DEPTH 15/21

8xM8x1.25 THREAD DEPTH 15/20



DETAIL OF FLYWHEEL(A) (SCALE 1:5)



DETAIL OF PULLEY(B) (SCALE 1:3)

3D-CAD  
 NOTICE  
 GEOMETRICAL TOLERANCE  
 KIND OF TOLERANCE SYMBOL  
 STRAIGHTNESS TOLERANCE  
 SURFACE FINISH TOLERANCE  
 PROFILE OF LINE TOLERANCE  
 FLATNESS TOLERANCE  
 CIRCULARITY TOLERANCE  
 PARALLELISM TOLERANCE  
 PERPENDICULARITY TOLERANCE  
 ANGULARITY TOLERANCE  
 POSITIONAL TOLERANCE  
 CONCENTRICITY TOLERANCE  
 SYMMETRY TOLERANCE  
 CIRCULAR RUN-OUT TOLERANCE  
 PROFILE RUN-OUT TOLERANCE

本製品への環境負荷物質の使用については、YIS V-001J (環境負荷物質の使用規制) を満足すること。  
 With respect to the use of environmentally hazardous substances in this parts, the substances in use shall conform to YIS V-001J (Restrictions of use For Environmentally Hazardous Substances).